

JEM INTERNATIONAL, INC.
PHONE: 913-441-4787 FAX: 913-441-1711

JM MAIN SCALE AND HOUSING PARTS LIST				
	PART #	DESCRIPTION	CODE	
1	1425194	Muffler 1/8 NPT		
2	0015480000	Beam clevis		
3	0024257910	Chute seal	R	1
	0024257909	Chute seal white	R	1
4	0024257911	Chute seal plate MS		
	0024257913	Chute seal plate SS		
	0034053626	Valve plate spacer on models without control box		
5	0098363801	"V" block bearing		
6	0270063801	Pivot		
7	0379823601	Slide bar MS		
	0379823602	Slide Bar SS		
8	0379833601	Slide bar spacer MS		
	0379833602	Slide bar spacer SS		
9	0379943601	Gate stop bar MS		
	0379943602	Gate stop bar SS		
10	0397083501	Shipping clip MS		
	0397083502	Shipping clip SS		
11	0418176601	Regulator Slide handle MS		
	0418176602	Regulator Slide handle SS		
12	0418183501	Regulating slide plate MS		
	0418183502	Regulating slide plate SS		
13	0423943603	Sway Link MS		
	0423943604	Sway Link SS		
14	0423955501	Sway Bracket MS		
	0423955502	Sway Bracket SS		
15	0447973601	Dust skirt bar MS		
	0447973602	Dust Skirt bar SS		
16	0467603501	Restrictor plate MS		
	0467605501	Restrictor plate SS		
17	2795900000	Switch MS	R	1
	0279590001	Switch SS	R	1
18	3600500000	Rod, gate adjust MS		
	3600500001	Rod, gate adjust SS		
19	3700510000	Foot switch		
20	3700560112	Male plug		
21	3770180002	Air cylinder bracket (1 speed) MS		
	3770180003	Air cylinder bracket (1 speed) SS		

	PART #	DESCRIPTION	CODE	
22	3770190000	Air cylinder bracket (2 speed) MS		
	3770190001	Air cylinder bracket (2 speed) SS		
23	3770330041	Regulator		
24	3770330040	Filter Regulator	R	1
25	3770330039	FR bowl	R	2
26	3770330046	Whole FR assembly		
27	3770340000	Control box MS		
	3770340001	Control box SS		
	3770340005	Valve plate (replaces control box on some models)		
28	3770700000	Housing MS		
	3770720000	Housing SS		
29	3770710000	Feedgate handle MS		
	3770710001	Feedgate handle SS		
30	3770800000	Weight rod MS		
	3770800001	Weight rod SS		
31	3770840000	Prox switch bracket complete MS		
	3770840002	Prox switch bracket complete SS		
32	3770840001	Proximity bracket		
33	3770870000	Valve	R	1
34	3770920000	2 Speed control, terminal strip		
35	3799990000	Bag clamp	R	2
	3799990001	Bag clamp DT White 48"	R	2
36	3900140000	Rear clevis (2 speed only) MS		
	3900140001	Rear clevis (2 speed only) SS		
37	4425120000	Special washer		
38	4425150000	Wingnut		
39	5418150001	Top chute MS		
	5418150002	Top chute SS		
40	5418220001	Regulating slide MS		
	5418220002	Regulating slide SS		
41	5423910001	Chute gate MS		
	5423910002	Chute gate SS		
42	5448200004	"L" bracket MS		
	5448200006	"L" bracket SS		
43	5448200005	Spring		
44	5448200035	Hex coupling nut MS		
	5448200036	Hex coupling nut SS		
45	5454480002	"H" bracket MS		
	5454480004	"H" bracket SS		
46	5460180001	Beam stop bracket MS		
	5460180002	Beam stop bracket SS		
47	6000420000	Main beam MS		

	PART #	DESCRIPTION	CODE	
	6000420003	Main beam SS		
48	6000470001	Dashpot		
49	7052250000	Feed gate bearing		
50	7061150000	Rod end bearing (2 speed)		
51	7061400000	Rod end 1/4 RH		
52	7061490000	Rod end bearing (1 speed)		
53	7623140002	Spout bearing MS		
	7623140004	Spout bearing SS		
54	7675400003	Flow decal		
55	7791780000	Dust skirt fabric	R	1
56	7800510000	Proximity switch	R	1
57	7800550150	Load Cell #150, Canadian series		
58	7800550250	Load Cell #250, standard series	R	1
59	7800550604	Summing box		
60	7800552003	Fuse 3 AMP	R	10
61	7800650001	Knob		
62	7800700000	Timer	R	1
63	7800800003	Socket Timer/relay		
64	7800800110	Relay	R	1
65	8282500000	Brass fittings elbow or straight	R	15
66	8282504444	1/4" airline	R	30'
67	8282509999	Vent dust port		
68	8332850000	Gate cylinder (1 speed) MS	R	1
	8332850001	Gate cylinder (1 speed) SS	R	1
69	8333260000	Spout cylinder MS		
	8333260003	Spout cylinder SS		
70	83NC1A200-PS	Seal kit, spout MS	R	1
	83CG5N50SRPS	Seal kit, spout SS	R	1
71	8333260002	Clevis spout		
72	83NQ250GDF145	Gate cylinder (2 speed) MS	R	1
73	83US19149	Gate cylinder (2 speed) SS	R	1
74	9250400000	Weight box cover		
75	9267080000	Weight box		
76	9500150000	Bulb	R	10
77	9500150100F	Selector switch		
78	9500150131F	Red cycle light		
79	9500150134F	Green "on" pilot		
80	9500380000	Terminal block		
81	9500410000	Terminal ground		
82	9500440000	Terminal fuse holder		
	83CQ2B50-PS	Seal kit 2 speed gate cylinder MS or SS	R	2

PART #	DESCRIPTION	CODE	Simplex
	GSE Controller		
13-10-7050	Fuse 600 series main PCB	R	5
24660B-122A0	I/O Module 2 input/2 output R	R	1
24660B-130A0	I/O Module 4 Position SBM. AC	R	1
24660B-102C0	SCR CONTROL 660	R	1
95HBC25DS10	Crydom Relay, DC control SC	R	1

R=RECOMMENDED SPARE PARTS

When ordering parts be sure to advise scale construction (ex. Mild steel, stainless) and serial number

Some part pictures may differ from your scale as we do update parts occasionally

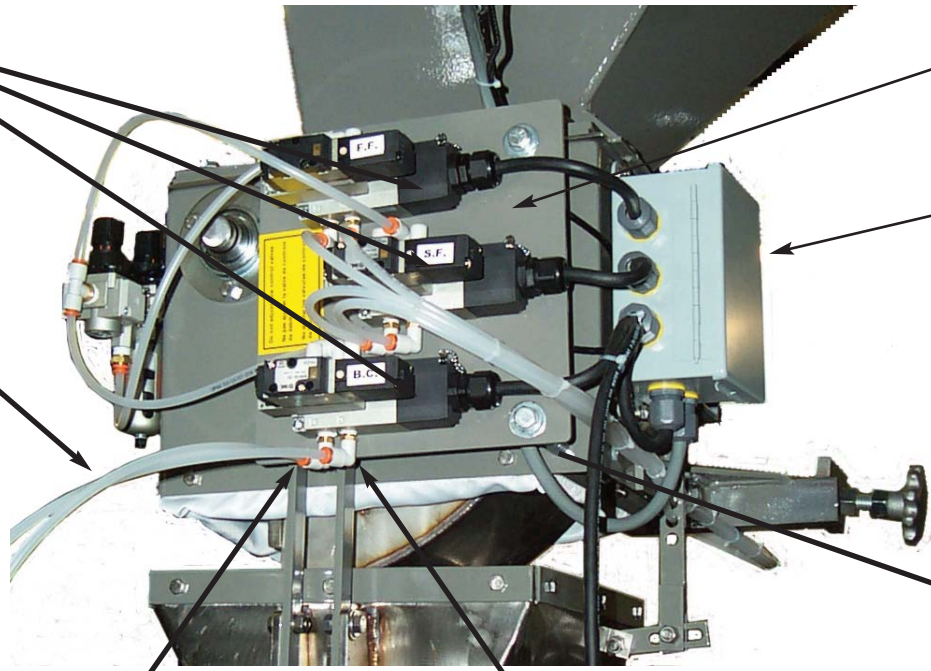
Valves
3770870000
Valve 220
3770870220

Valve Plate
3770340005

Enclosure
17643

Lower spacer
0034053626

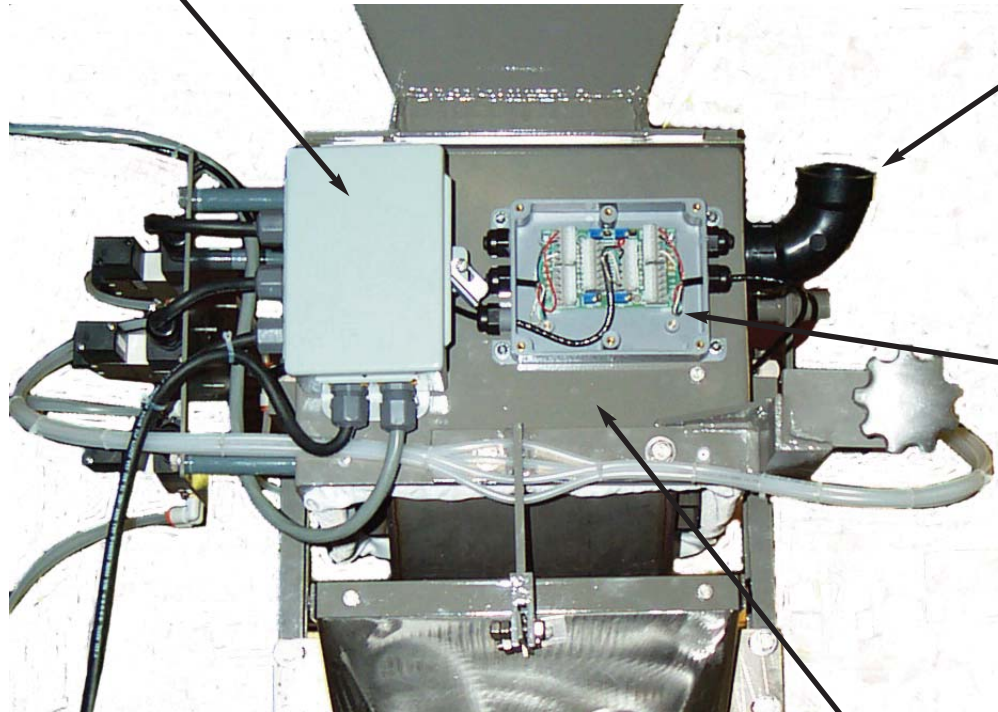
1/4" air line
8282504444



Muffler 1/8 NPT
1425194

1/4 x 1/8 NPT
Elbow & straight fittings
8282500000

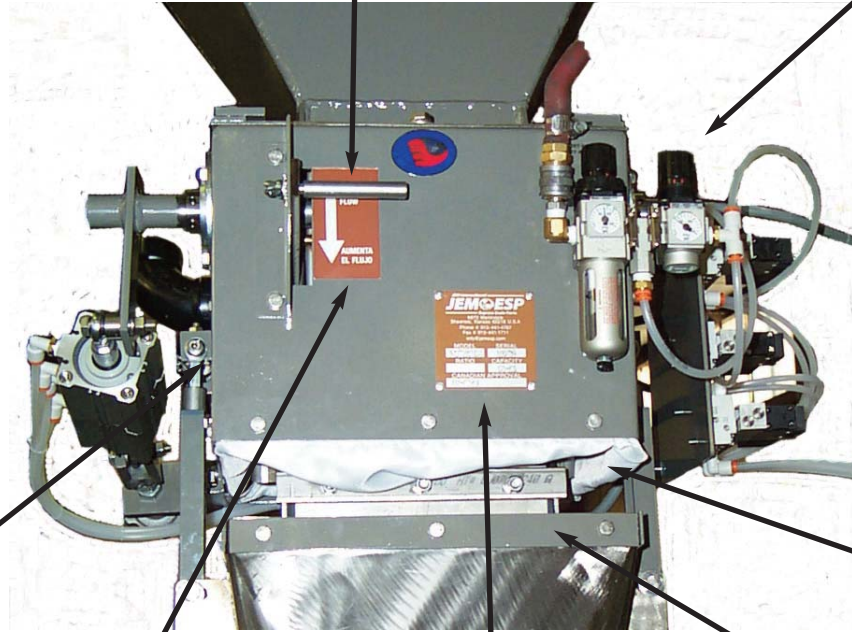
Enclosure
17643



Dust Port
8282509999

Summing Box
7800550604

Scale housing
3770700000MS
3770720000SS



Regulator slide handle
0418176601MS
0418176602SS

Filter Regulator Assembly
3770330046
Components
Regulator 3770330041
Filter regulator 3770330040
3/8 x 1/4 elbow fitting
8282500000
3/8 x 1/4 straight fitting

Rod end bearing
7061400000

Flow Decal
7675400003

Name Plate
9300030000

Dust Skirt
7791780000

Dust Skirt bar
0447973601MS
0447973602SS

Rear Clevis
(2 speed only)
3900140000MS
3900140001SS

Feed gate cylinder
Two speed
83NQ250GDF145MS
83US19149SS

Load Cell behind cylinder
7800550250
Canadian
7800550150

Feed gate handle
3770710000MS
3770710001SS

Rod, gate adjust
3600500000MS
3600500001SS

Adjust knob
7800650001

Sway Link
0423943603MS
0423943604SS

Sway Bracket
0423955501MS
0423955502SS

Single Speed

Feed gate cylinder
Single speed
8332850000MS
8332850001SS



Load Cell
7800550250
Canadian
7800550150

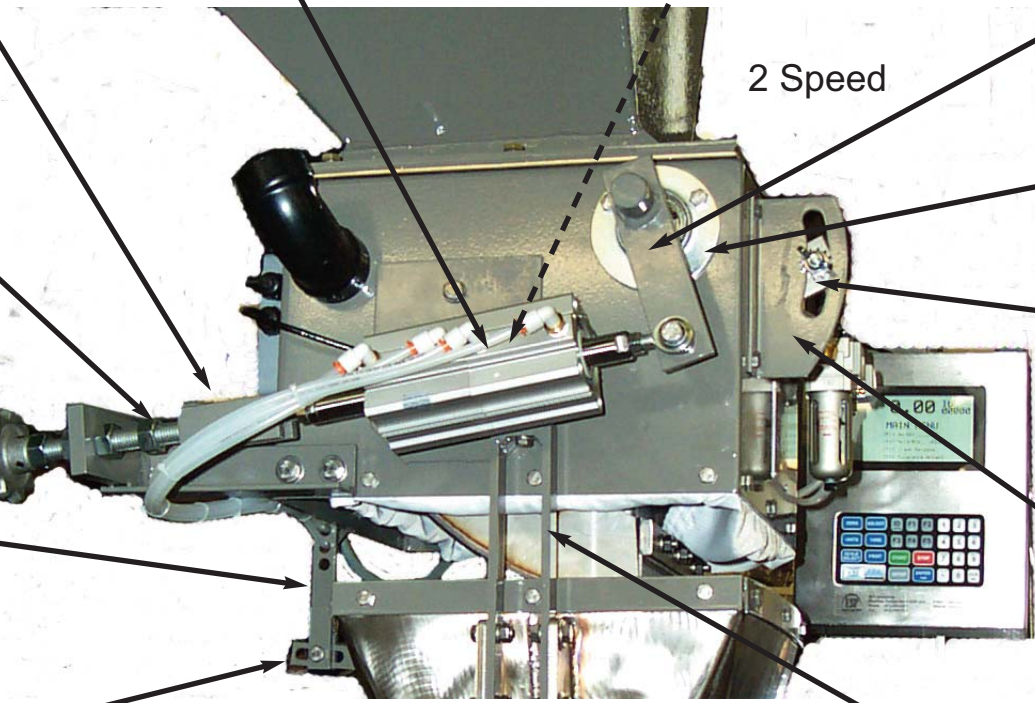
2 Speed

Feed gate bearing
7052250000

Regulator slide
5418220001MS
5418220002SS

Regulating slide
plate
0418183501MS
0418183502SS

H Bracket
5454480002MS
5454480004SS



JEM INTERNATIONAL, INC.**PHONE: 913-441-4787 FAX: 913-441-1711**

JM BELT FEEDER PARTS LIST					
PART #	DESCRIPTION	CODE			
0012003542	Motor 3/4HP 3 Phase				
0020401914	Sprocket				
0020000003	Sprocket				
0023487924	Belt BF-14 endless white	R	1		
0498437801	Belt seals	R	3		
0498437815	Seal BF-14 side UHMW 2 3/4	R	2		
0498437820	Seal BF-14 end UHMW 2 3/4	R	1		
3600000000	Housing				
3600010000	Housing SS Contact BF				
3600080000	Spring				
3600160000	Scraper				
3600160002	Scraper SS				
3600160001	Scraper bracket				
3600160003	Scraper bracket SS				
3600170006	Drip pan				
3600180000	Bracket rear bearing				
3600190000	Bracket front bearing				
3600260000	Chute				
3600310000	Belt support plate				
3600310001	Belt support plate SS				
3600490000	Space tube				
3600500000	Handle adjust				
3600510000	Bracket flow adjust				
3600510002	Bracket ff gate stop				
3700581401	Gear Box				
5022640000	Belt	R	1		
5422120000	Access door				
5422150001	Flow gate				
5422150006	Flow gate SS				
6034500000	Toggle clamp				
78PBF068	Bearing flow gate				
7144050000	Bumper	R	2		
7623180000	Bearing				
7800650001	Knob				
8332820002	Front Clevis				
8332830003	Rear Clevis				
8332850000	Cylinder gate single speed JM	R	1		

R=RECOMMENDED SPARE PARTS

When ordering parts be sure to advise scale construction (ex. Mild steel, stainless)

BELT FEEDER

Motor 3/4HP 3 Ph
0012003542

Gear box
3700581401

Not Shown
Sprockets
0020401914
0020000003

Rear Clevis
8332830003

Knob
7800650001

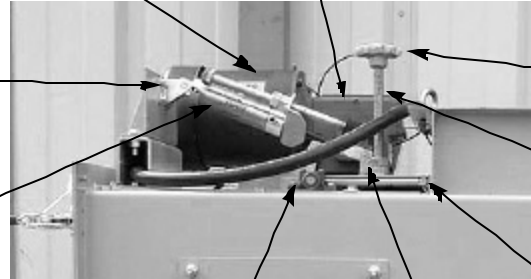
Cylinder gate
single speed JM
8332850000

Handle adjust
3600500000

Flow gate
5422150001

Bearing flow gate
78pbf068

Front Clevis
8332820002



Bracket ff gate stop
3600510002

Bracket flow adjust
3600510000

Space tube
3600490000

Bumper
7144050000

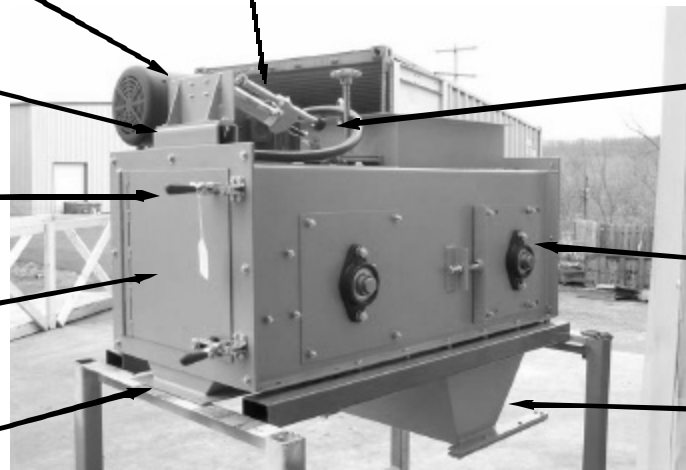
Toggle clamp
6034500000

Bearing
7623180000

Access door
5422120000

Drip pan
3600170006

Chute
3600260000



Belt
5022640000

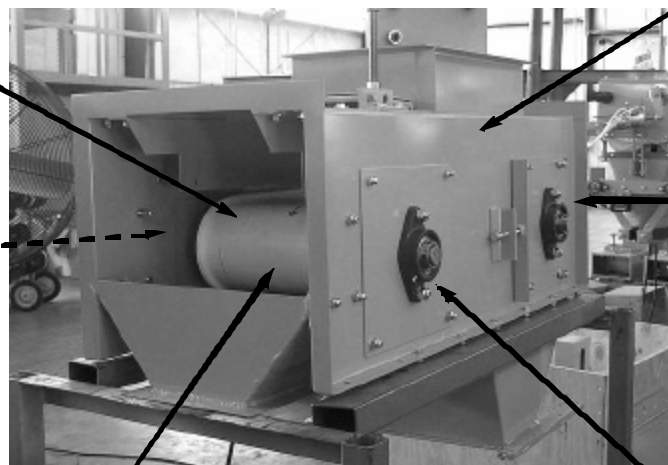
Housing
3600000000

NOT SHOWN
Scraper
3600160000
Scraper bracket
3600160001
Spring
3600080000
Belt seals
0498437801

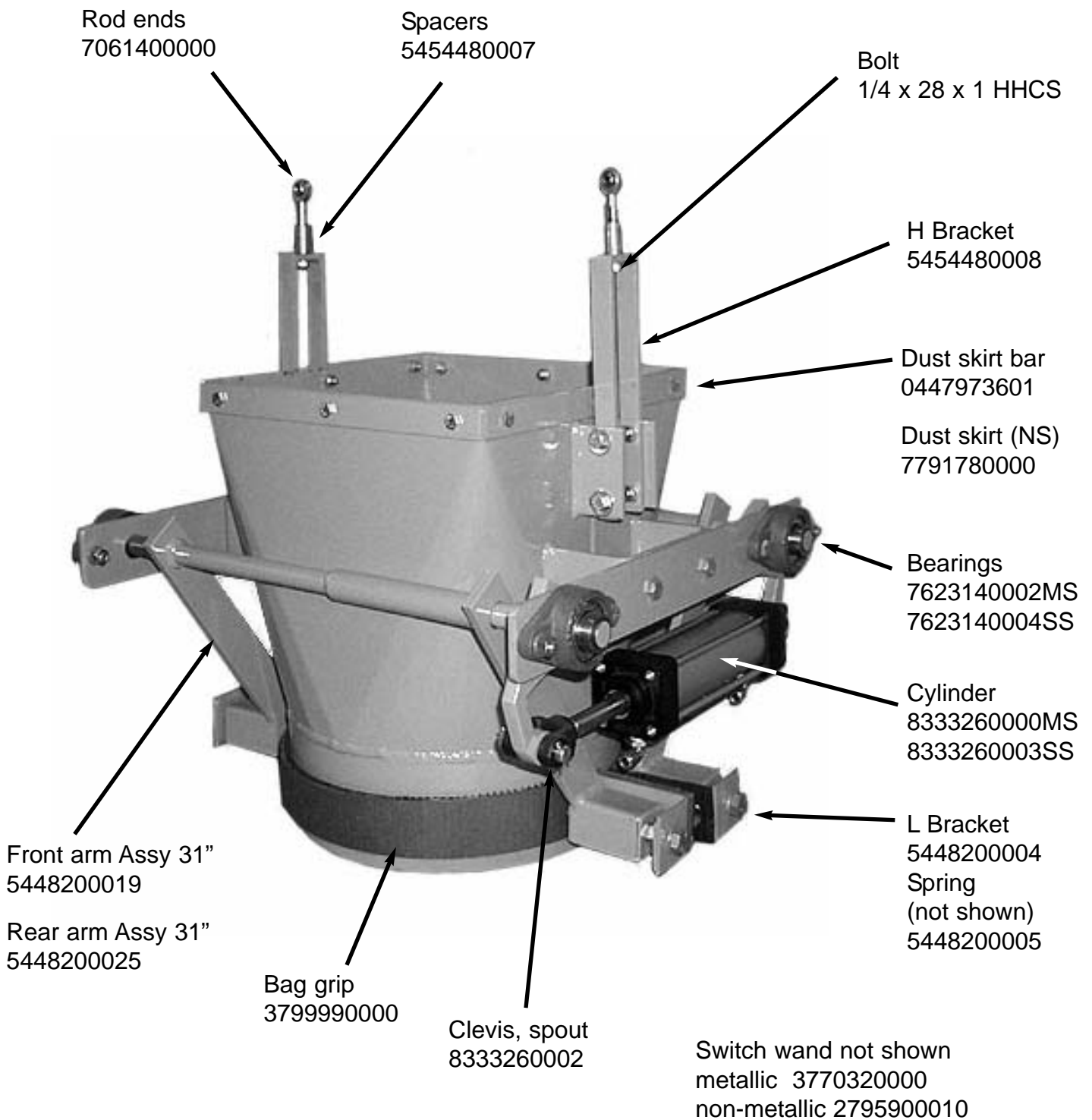
Bracket rear bearing
3600180000

Belt support plate
(not shown)
3600310000

Bracket front bearing
3600190000



AO by Circumference DUST TIGHT SPOUT



CENTER GRIP SPOUT

