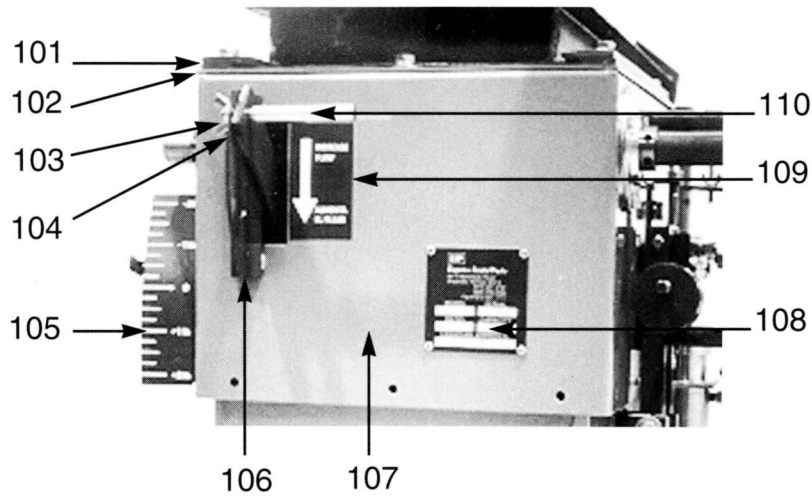
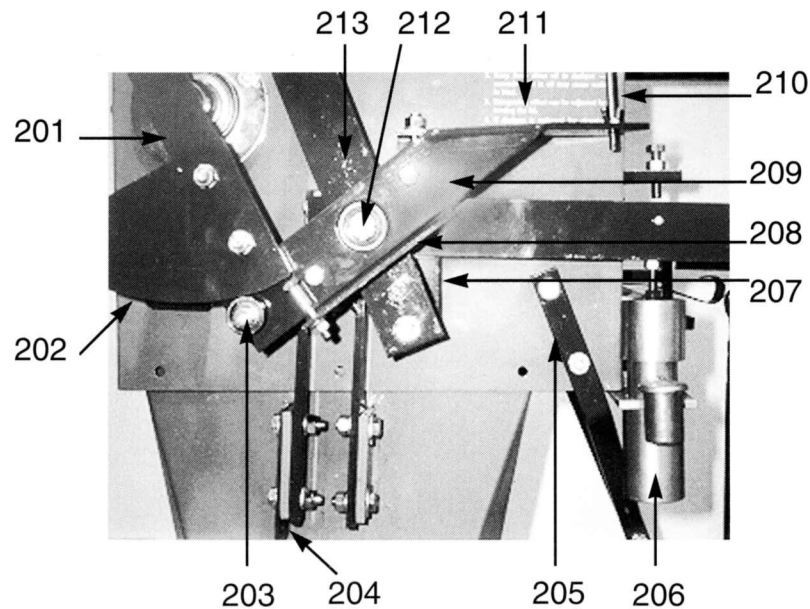


FIGURE 1



INDEX #	PART#	DESCRIPTION	#USED
101	0379823601	Slide Bar	2
102	0379833601	Slide Bar Spacer	2
103	4425950000	Wing Nut	1
104	4425120000	Washer, Special	1
105	7675400001	Decal LB	1
	7675400002	Decal KG	1
106	0418183501	Plate, Regulating Slide	1
107	5424250001	Housing	1
108	9300030000	Nameplate	1
109	7675400003	Decal Flow	1
110	0418176601	Handle, Regulating Slide	1

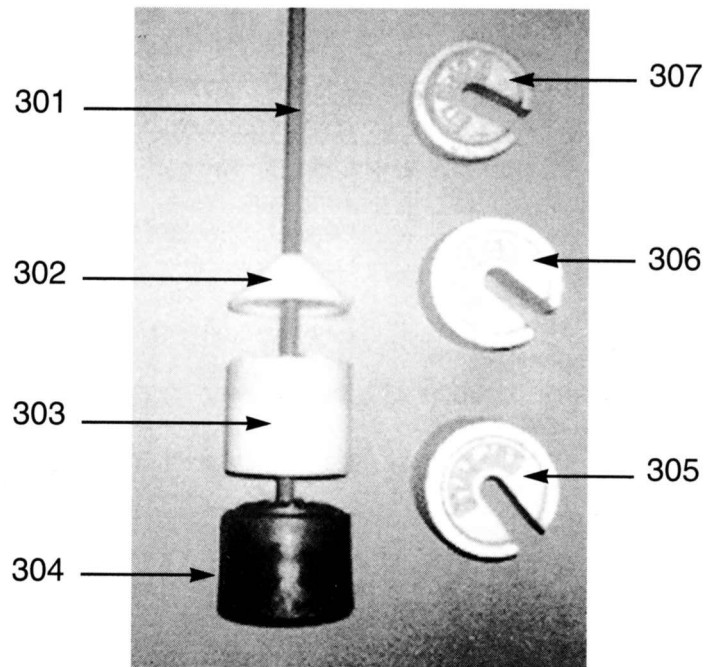
FIGURE 2



INDEX#	PART#	DESCRIPTION	#USED
201	5424260001	Handle Gate	1
202	0423757001	Knife Edge	*1
203	7055550000	Bearing Knife Edge	*1
204	0398253501	Shipping Clip	2
205	5460190001	Bracket Sway Control	2
206	6000470001	Dashpot Assembly	*1
207	5460160001	Middle Bearing Bracket	2
208	5460230002	Bracket Tr. Arm Bearing	*1
209	5460230001	Trigger Arm	1
210	4743440000	Screw Trigger Trip	*1
211	9300040000	Dashpot Instructions	1
212	7055000000	Bearing Trigger Arm	*1
213	0423793601	Bracket, Trigger Arm Mt.1	
	not shown		
	0034053614	Spacer, Upper	1
	0034053626	Spacer, Lower	1

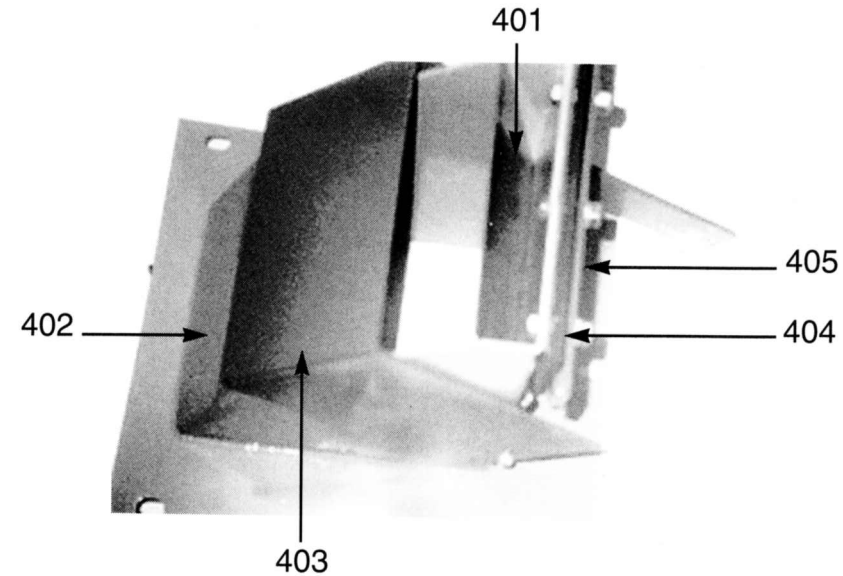
\*Indicates items recommended for spares

FIGURE 3



INDEX#	PART#	DESCRIPTION	#USED
301	5447930001	Weight Rod	1
302	9250400000	Weight Box Cover	1
303	9267080000	Weight Box	1
not shown	0372813501	Weight Box Lid	1
304		Weight (option for AO scale only)	1
305	6011400005	25 LB. weight	4
306	6011400002	10 LB. weight	1
307	6011400001	5 LB. weight	1
	6011400026	full set of LB. weights	1
	6011500005	10 KG. weight	4
	6011500002	5 KG. weight	1
	6011500001	2.5 KG. weight	1
	6011500018	full set of KG weights	1

FIGURE 4



INDEX#	PART#	DESCRIPTION	#USED
401	0467603501	Restrictor Plate	1
402	5418150001	Chute Top	1
403	5418220001	Regulating Slide	1
404	0024257910	Seal Chute	*1
405	0379943601	Gate Stop Bar	1
not shown	0024257911	Plate Seal	1
not shown	5423910001	Chute Gate	1

*\*Indicates items recommended for spares*

FIGURE 5

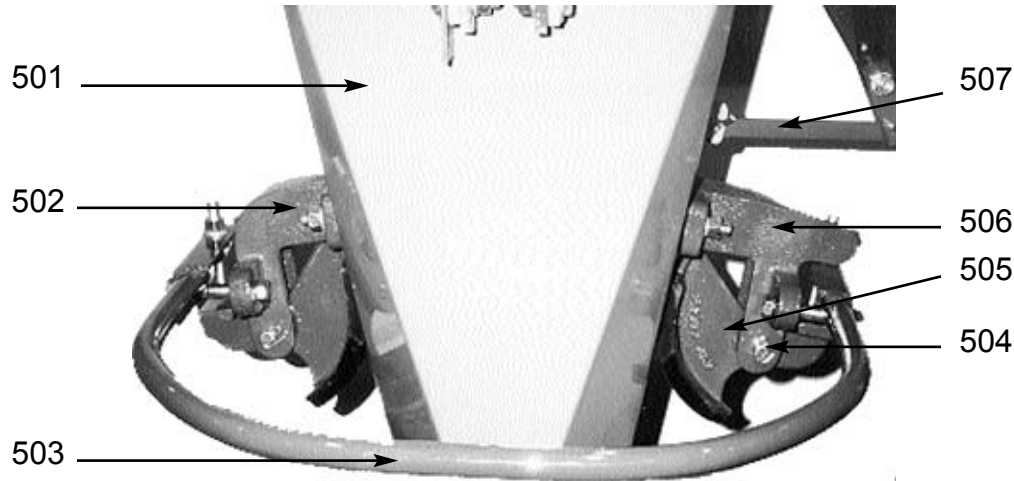
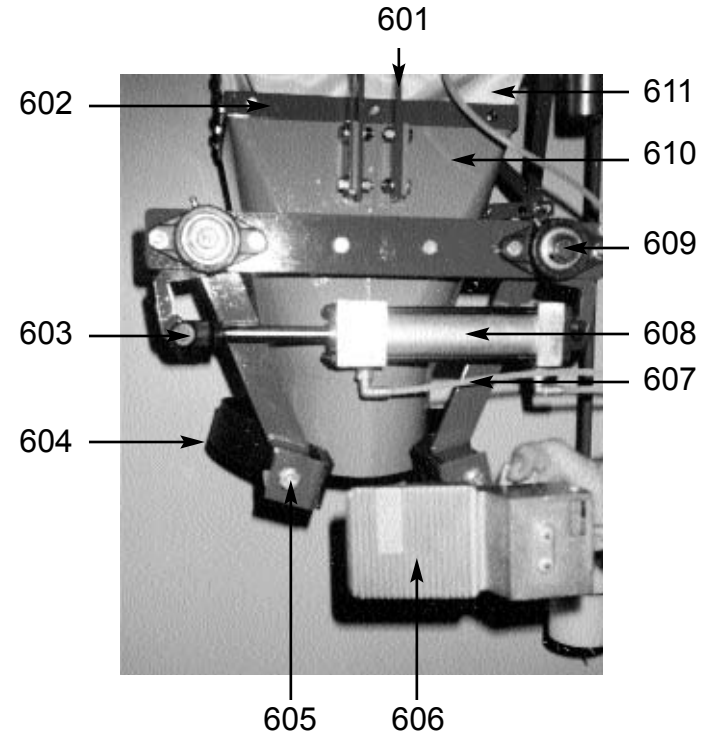


FIGURE 6

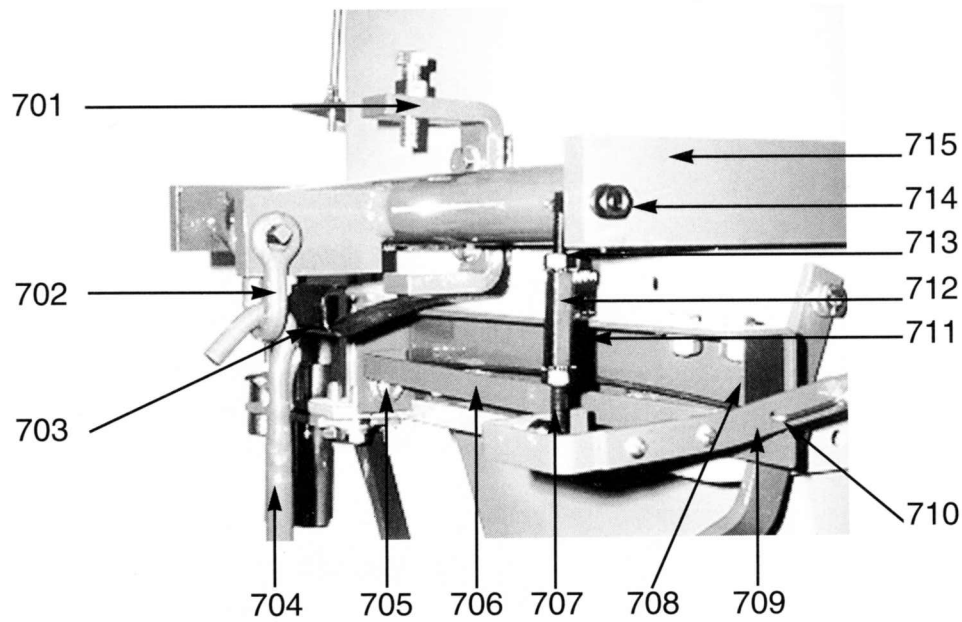


INDEX#	PART#	DESCRIPTION	#USED
501	5479500001	Spout - 32"	1
	5419900001	Spout - 25"	1
	5419910001	Spout - 17"	1
502	0479350101	Bracket Bagholder Front	1
503	5460220007	Handle Release - GB32	1
	5460220003	Handle Release - GB25	1
504	4496600000	Pin Fulcrum	2
505	5363180001	Bag Clamp (includes pin)	2
506	0479360101	Bracket Bagholder Rear	1
507	0423943601	Sway Link	1

\*Indicates items recommended for spares

INDEX#	PART#	DESCRIPTION	#USED
601	5454480002	H Bracket	2
602	0447973601	Bar Dust Skirt	8
603	8333260002	Clevis	1
604	3799990000	Bag Clamps	*2
605	5448200004	L Bracket	4
606	8953050002	Valve Foot	1
607	8282504444	Airline	*30ft.
608	8333260000	Cylinder Spout	1
609	7623140002	Bearing	4
610		Spout AO 31	1
611	7791780000	Dust Skirt	*1
not shown	3770330040	FR	1
not shown	8282509999	Vent	*1

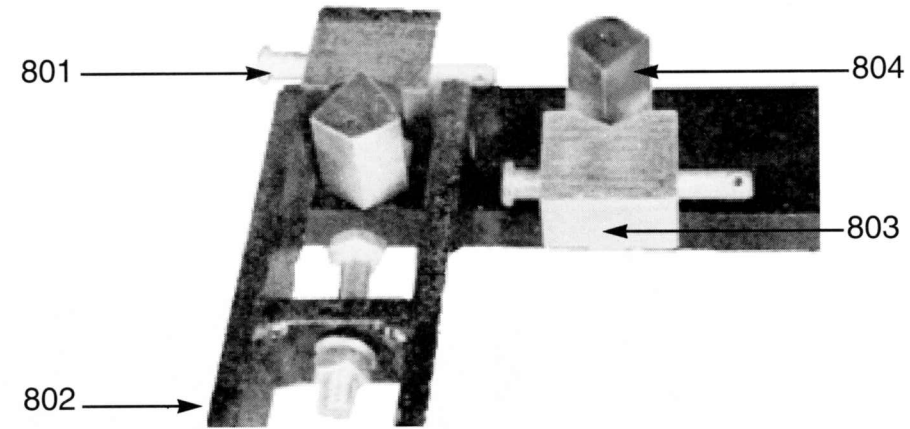
FIGURE 7



INDEX #	PART #	DESCRIPTION	#USED
701	5460180001	Bracket Beam Stop	1
702	0015480000	Clevis	1
703	7811270000	Compensation Spring	*1
704	5447930001	Weight Rod	1
705	0379725501	Torsion Adjust Bolt	1
706	0444455501	Bar Bearing	1
707	0444395501	Pushrod RH	1
709	0423965501	Pointer	1
710	0379715501	Torsion Rod	*1
711	0444425501	Turnbuckle Ass'y.	*1
712	0444405501	Turnbuckle	1
713	0444385501	Pushrod LH	1
714	0444415501	Pushrod Pin	2
715	6000420000	Main Beam	1
not shown	0423995501	Angle Support	1

\*Indicates items recommended for spares

FIGURE 8

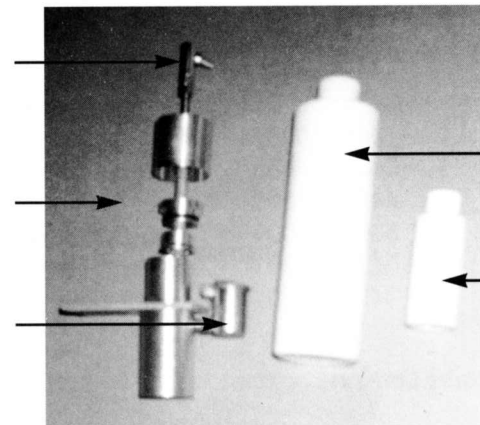


INDEX#	PART#	DESCRIPTION	#USED
801	0381156601	Pin Clevis	4
802	5454480001	Supension Shackle	2
803	0098353801	Bearing	4
804	0270063801	Pivot	4

**PART#**  
7428070000  
Ball Joint

**PART#**  
6000470001  
Dashpot Ass'y.

**PART#**  
7286650000  
Oiler



**PART#**  
7329000002  
16oz. Dashpot  
Oil

**PART#**  
7329000000\*  
2oz. Dashpot  
Oil