

JEM INTERNATIONAL, INC.**PHONE: 913-441-4787 FAX: 913-441-1711****CM-780 MAIN SCALE AND HOUSING PARTS LIST**

| PART # | DESCRIPTION | CODE | Simplex | Duplex |
|------------|-------------------------------------|------|---------|--------|
| 042395501 | Sway Bracket AO | | | |
| 042395502 | Sway Bracket AO SS | | | |
| 043625501 | Latch | | | |
| 0438243601 | Bracket Micro Switch Spout | | | |
| 0448836601 | Equalizing Rod | | | |
| 0448836602 | Equalizing Rod SS | | | |
| 0448993601 | Bracket Steady Rod End | | | |
| 0448993602 | Bracket Steady Rod End SS | | | |
| 0449007801 | Steady rod 3/16" | R | 4 | 8 |
| 0544870002 | Seal Hopper | R | 1 | 2 |
| 2795900000 | Switch Opar | R | 1 | 2 |
| 3770330040 | Filter Regulator | | | |
| 3770330041 | Regulator | R | 1 | 2 |
| 3770330046 | Filter Regulator Assembly | | | |
| 5270870001 | Bracket Hopper Carrying | | | |
| 5270870002 | Bracket Hopper Carrying SS | | | |
| 5448530000 | Hopper 3.5 Ft | | | |
| 5448540004 | Hopper 2 SS | | | |
| 5448550000 | Hopper 4 Cubic Ft | | | |
| 5448570000 | Frame Hopper | | | |
| 5448570001 | Frame Hopper SS | | | |
| 5448580001 | Door Hopper Right | | | |
| 5448580006 | Door Hopper Right 316 SS | | | |
| 5448580003 | Bracket Hopper door RT | | | |
| 5448580004 | Bracket LH W/SW Bracket Hopper | | | |
| 5448700001 | Door Hopper Left | | | |
| 5448700004 | Door Hopper Left 316 SS | | | |
| 5448910001 | Plate Rear Extension | | | |
| 5448910003 | Plate Extension Frnt & Rear 4 CB FT | | | |
| 5448910015 | Plate Extention Rear 2 CU FT | | | |
| 5448910016 | Plate Extention Rear 2 CU FT SS | | | |
| 7061230000 | Rod End Hopper 1/2 male RH | | | |
| 7061510000 | Rod End 3/8 RH | | | |
| 7061580000 | Rod End CM 1/2" F LH | | | |
| 7061590000 | Rod End CM 1/2" RH | | | |
| 7144010000 | CM Rubber Bumper Black* | R | 4 | 8 |

R=RECOMMENDED SPART PARTS

JEM INTERNATIONAL, INC.**PHONE: 913-441-4787 FAX: 913-441-1711****CM-780 MAIN SCALE AND HOUSING PARTS LIST**

| | | | | |
|------------|-----------------------------------|---|-----|-----|
| 7144050000 | CM Rubber Bumper White* | R | 4 | 8 |
| 7623130000 | Bearing 5/8" 2 Blt Hopper | | | |
| 7800230001 | Housing CMD Left | | | |
| 7800230004 | Housing CMD Right | | | |
| 7800230006 | Housing CMD Right SS | | | |
| 7800230020 | Channel Mounting 4 x 36 20" | | | |
| 7800250000 | Cover Small | | | |
| 7800250001 | Cover Small SS | | | |
| 7800270000 | Panel Large | | | |
| 7800270001 | Panel Large SS | | | |
| 7800350000 | Bracket Duplex MSGG Angle | | | |
| 7800350005 | Bracket Duplex Connector GG/BF | | | |
| 7800390000 | Transition x 14 CM Center | | | |
| 7800390001 | Transition x 14 CM Center SS | | | |
| 7800390007 | Transition Extension 4 CU FT | | | |
| 7800390010 | Transition FR Dis Duplex | | | |
| 7800390012 | Transition Extension CM Duplex 6" | | | |
| 7800550000 | Bracket Load Cell Base | | | |
| 7800550004 | Bracket Load Cell Base SS | | | |
| 7800550001 | Bracket Load Cell Block | | | |
| 7800550005 | Bracket Load Cell Block SS | | | |
| 7800550002 | Bracket Load Cell Angle | | | |
| 7800550006 | Bracket Load Cell Angle SS | | | |
| 7800550250 | Load Cell 250# | R | 1 | 2 |
| 7800550604 | Summing Box EL604 | | | |
| 7800550605 | Summing Board | | | |
| 7800560001 | Bracket Steady Rod Rear | | | |
| 7800560002 | Bracket Steady Rod Front | | | |
| 7808080000 | Knob | | | |
| 7809000000 | Top Plate | | | |
| 7809010000 | Top Plate SS | | | |
| 8282500000 | Fittings for Airline | R | 30 | 60 |
| 8282506666 | 3/8" Airline | R | 100 | 200 |
| 8282520000 | Steady rod fitting 3/16 x 1/8 BR | R | 8 | 16 |
| 8282530000 | Steady rod fitting 1/8 x 1/8 BR | R | 2 | 4 |
| 8333260000 | Cylinder Spout AO | | | |
| 83US18387 | Cylinder Hopper | R | 1 | 2 |

R=RECOMMENDED SPART PARTS

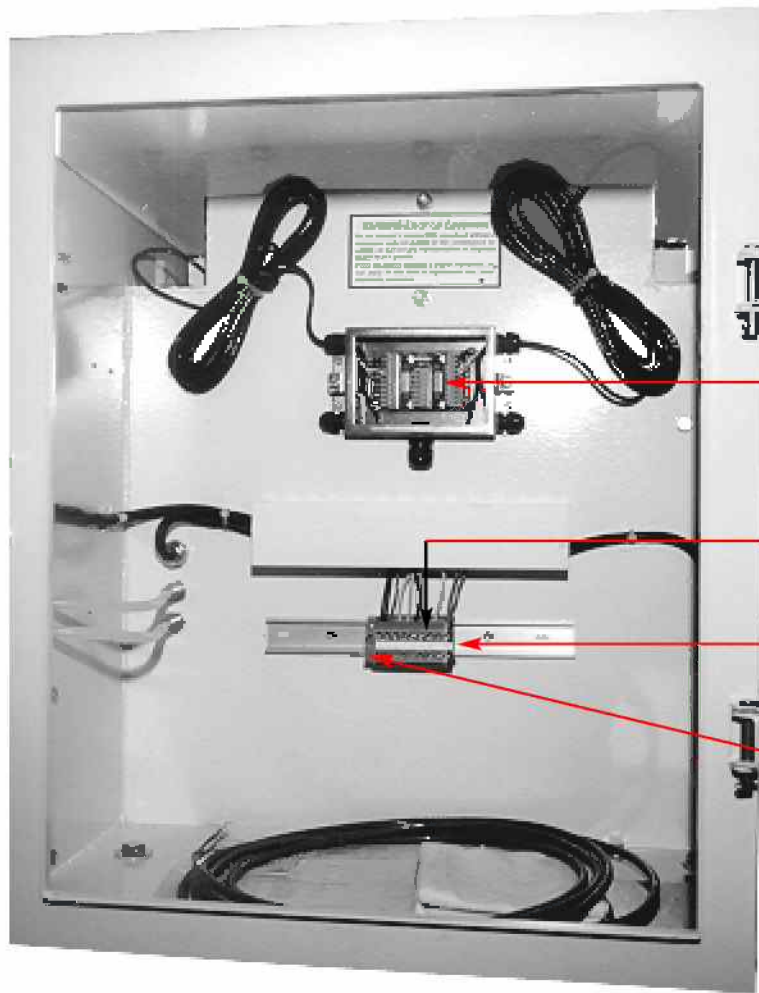
JEM INTERNATIONAL, INC.

PHONE: 913-441-4787 FAX: 913-441-1711

| GSE DIGITAL CONTROLLER PARTS | | | | | |
|-------------------------------------|---|---|---|--|---|
| 83US21584 | Cylinder Hopper SS | | | | |
| 8953100000 | Valve 3 Stat 110 Volt | | | | |
| 8953120220 | Valve 3 Stat 220 Volt | | | | |
| 8953100001 | Solenoid for CM Valve SMC 110 Volt | R | 1 | | 2 |
| 8953110222 | Solenoid for CM Valve SMC 220 Volt | R | 1 | | 2 |
| 9500380000 | Terminals | | | | |
| 9500410000 | Terminal Ground | | | | |
| 9500440000 | Terminal Fuse Holder | | | | |
| 200665-00020 | Controller Model 665 | | | | |
| | Simplex Scale | | | | |
| 13-10-7050 | Fuse 600 series main PCB | R | 5 | | |
| 24660B-122AO | I/O Module 2 input/2 output R (Simplex) | R | 1 | | |
| 24660B-130AO | I/O Module 4 position SBM. AC (Simplex) | R | 1 | | |
| | Duplex Scale | | | | |
| 13-10-4500 | Fuse for relay board 600 series | R | | | 5 |
| 13-10-7050 | Fuse 600 series main PCB | R | | | 5 |
| 19-30-0310 | Relay 1781-OA5S Output 12-1 | R | | | 3 |
| 19-30-1910 | Relay 1781-IA5S Input 90-140 | R | | | 3 |

R=RECOMMENDED SPART PARTS

When ordering parts be sure to advise scale construction material, mild steel or stainless



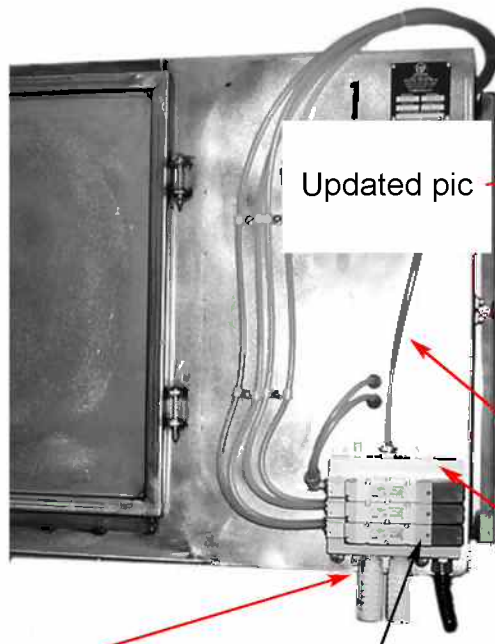
Summing box
7800550604

Terminals
9500380000

Terminal ground
9500410000

Terminal fuse holder
9500440000

Filter Regulator Ass'y
3770330046



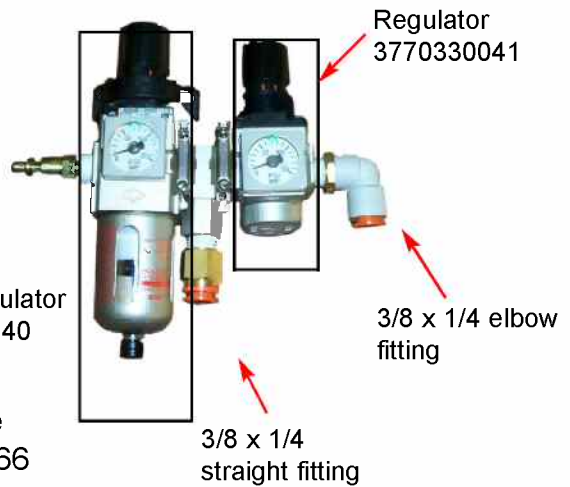
Updated pic

Muffler
8953100002

Solenoid Only
8953100001 for 110 V
8953110222 for 220 V

3/8 Air line
8282506666

Complete Valve
8953100000 for 110V
8953120220 for 220V

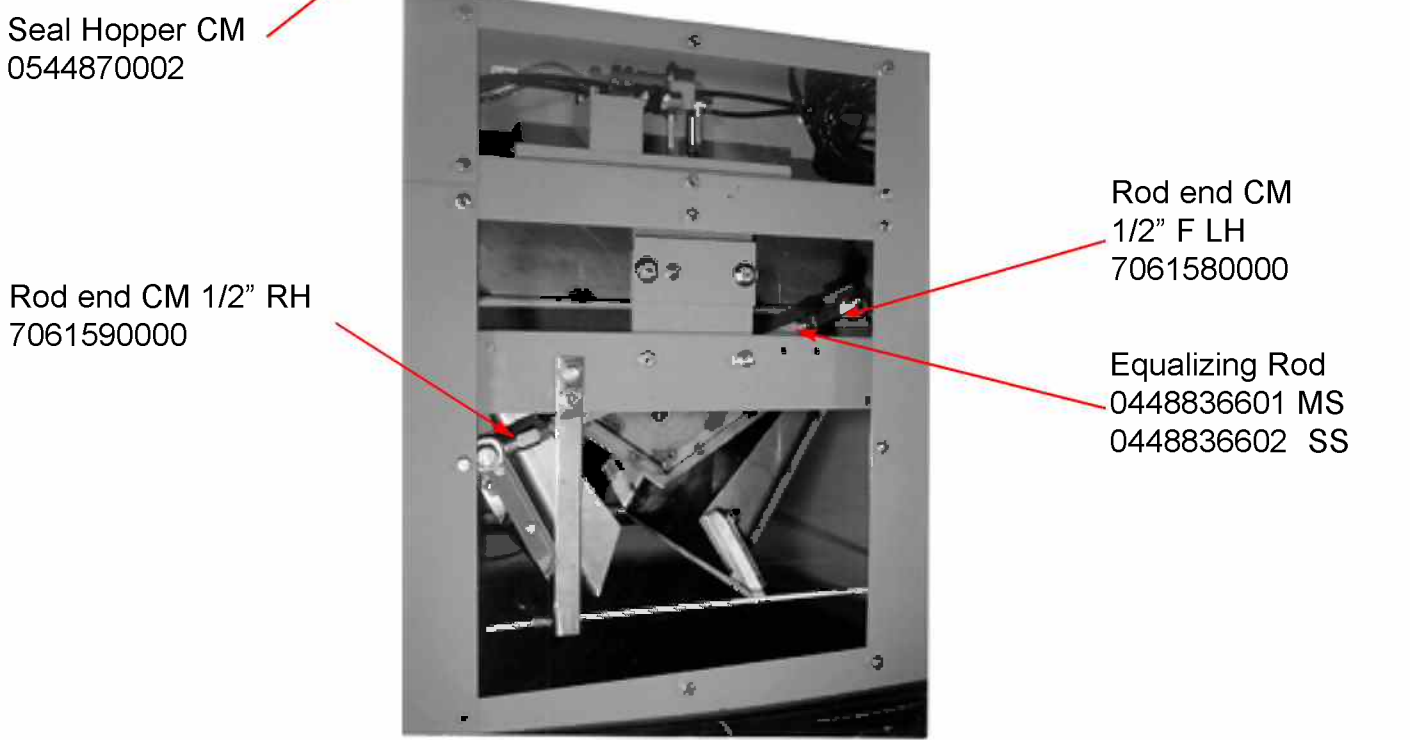
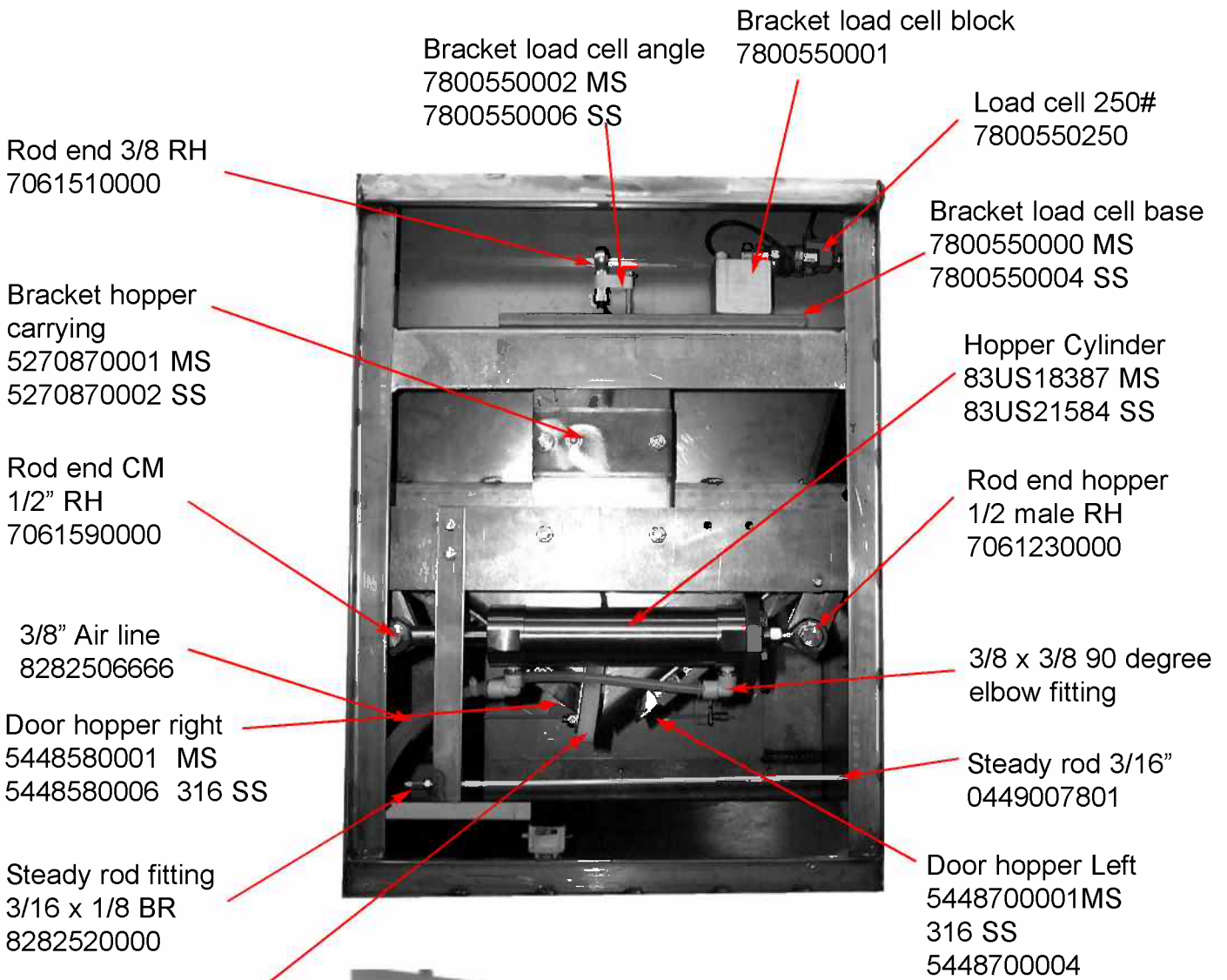


Regulator
3770330041

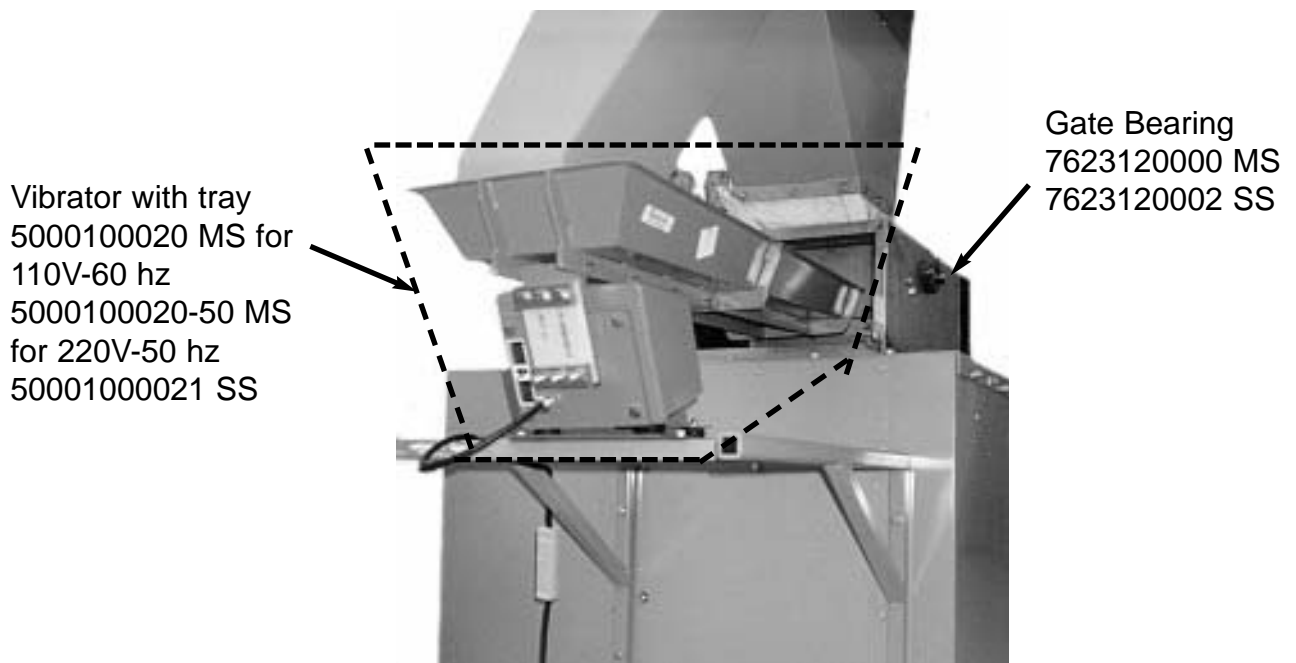
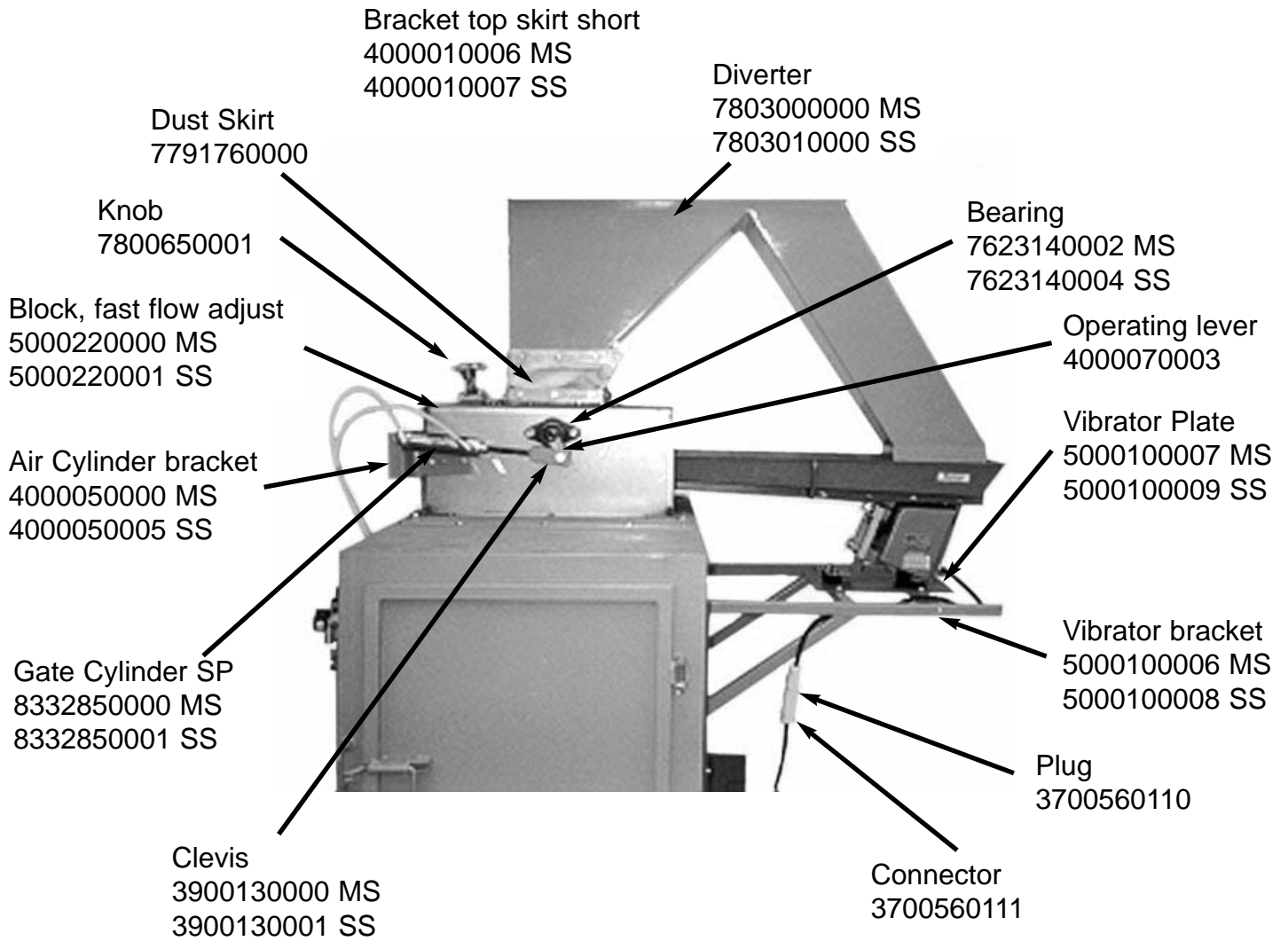
3/8 x 1/4 elbow
fitting

3/8 x 1/4
straight fitting

Filter Regulator
3770330040



GRAVITY VIBRATOR FEEDER



CM DUST TIGHT SPOUT MS and SS

Bearings SS
7623140004 SS
7623140002 MS

Cylinder
8333260003 AS
8333260000 MS

L Bracket
5448200006 SS
5448200004 MS
Spring (not shown)
5448200005

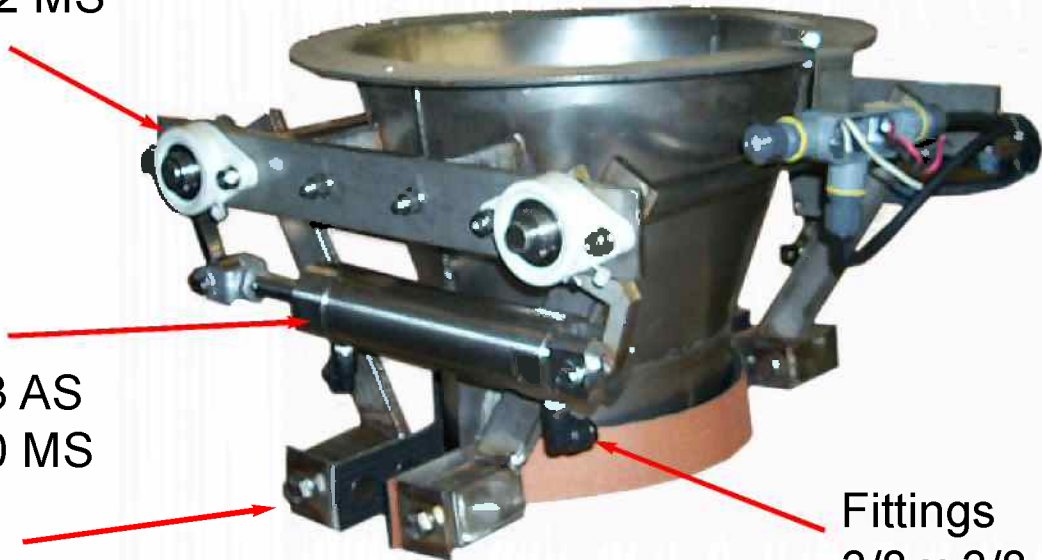
Fittings
3/8 x 3/8 elbow

Switch
2795900005

Switch wand
27959000010

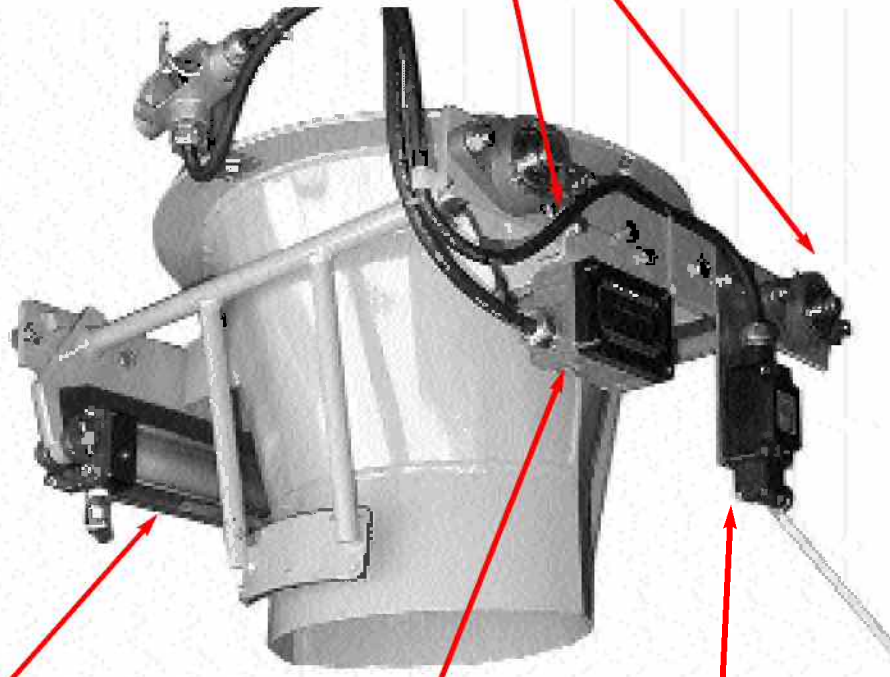
Clevis
8333260002

Bag Grip
3799990000



CM CENTER GRIP SPOUT MS and SS

BEARINGS
7623140002 Mild Steel
7623140004 SS
Recommended 2



CYLINDER SPOUT AO
8333260000 Mild Steel
OR 8333260003 SS
Recommended 1

MICRO SWITCH
2795900000 Mild Steel
2795900005 SS
Recommended 1

HAND SWITCH
3770320000 Mild Steel
2795900010 SS
Recommended 1