

**JEM INTERNATIONAL, INC.****PHONE: 913-441-4787 FAX: 913-441-1711****CM-780 MAIN SCALE AND HOUSING PARTS LIST**

PART #	DESCRIPTION	CODE	Simplex	Duplex
042395501	Sway Bracket AO			
042395502	Sway Bracket AO SS			
043625501	Latch			
0438243601	Bracket Micro Switch Spout			
0448836601	Equalizing Rod			
0448836602	Equalizing Rod SS			
0448993601	Bracket Steady Rod End			
0448993602	Bracket Steady Rod End SS			
0449007801	Steady rod 3/16"	R	4	8
0544870002	Seal Hopper	R	1	2
2795900000	Switch Opar	R	1	2
3770330040	Filter Regulator			
3770330041	Regulator	R	1	2
3770330046	Filter Regulator Assembly			
5270870001	Bracket Hopper Carrying			
5270870002	Bracket Hopper Carrying SS			
5448530000	Hopper 3.5 Ft			
5448540004	Hopper 2 SS			
5448550000	Hopper 4 Cubic Ft			
5448570000	Frame Hopper			
5448570001	Frame Hopper SS			
5448580001	Door Hopper Right			
5448580006	Door Hopper Right 316 SS			
5448580003	Bracket Hopper door RT			
5448580004	Bracket LH W/SW Bracket Hopper			
5448700001	Door Hopper Left			
5448700004	Door Hopper Left 316 SS			
5448910001	Plate Rear Extension			
5448910003	Plate Extension Frnt & Rear 4 CB FT			
5448910015	Plate Extention Rear 2 CU FT			
5448910016	Plate Extention Rear 2 CU FT SS			
7061230000	Rod End Hopper 1/2 male RH			
7061510000	Rod End 3/8 RH			
7061580000	Rod End CM 1/2" F LH			
7061590000	Rod End CM 1/2" RH			
7144010000	CM Rubber Bumper Black*	R	4	8

R=RECOMMENDED SPART PARTS

**JEM INTERNATIONAL, INC.****PHONE: 913-441-4787 FAX: 913-441-1711**

<b>CM-780 MAIN SCALE AND HOUSING PARTS LIST</b>					
7144050000	CM Rubber Bumper White*	R	4	8	
7623130000	Bearing 5/8" 2 Blt Hopper				
7800230001	Housing CMD Left				
7800230004	Housing CMD Right				
7800230006	Housing CMD Right SS				
7800230020	Channel Mounting 4 x 36 20"				
7800250000	Cover Small				
7800250001	Cover Small SS				
7800270000	Panel Large				
7800270001	Panel Large SS				
7800350000	Bracket Duplex MSGG Angle				
7800350005	Bracket Duplex Connector GG/BF				
7800390000	Transition x 14 CM Center				
7800390001	Transition x 14 CM Center SS				
7800390007	Transition Extension 4 CU FT				
7800390010	Transition FR Dis Duplex				
7800390012	Transition Extension CM Duplex 6"				
7800550000	Bracket Load Cell Base				
7800550004	Bracket Load Cell Base SS				
7800550001	Bracket Load Cell Block				
7800550005	Bracket Load Cell Block SS				
7800550002	Bracket Load Cell Angle				
7800550006	Bracket Load Cell Angle SS				
7800550250	Load Cell 250#	R	1	2	
7800550604	Summing Box EL604				
7800550605	Summing Board				
7800560001	Bracket Steady Rod Rear				
7800560002	Bracket Steady Rod Front				
7808080000	Knob				
7809000000	Top Plate				
7809010000	Top Plate SS				
8282500000	Fittings for Airline	R	30	60	
8282506666	3/8" Airline	R	100	200	
8282520000	Steady rod fitting 3/16 x 1/8 BR	R	8	16	
8282530000	Steady rod fitting 1/8 x 1/8 BR	R	2	4	
8333260000	Cylinder Spout AO				
83US18387	Cylinder Hopper	R	1	2	

R=RECOMMENDED SPART PARTS

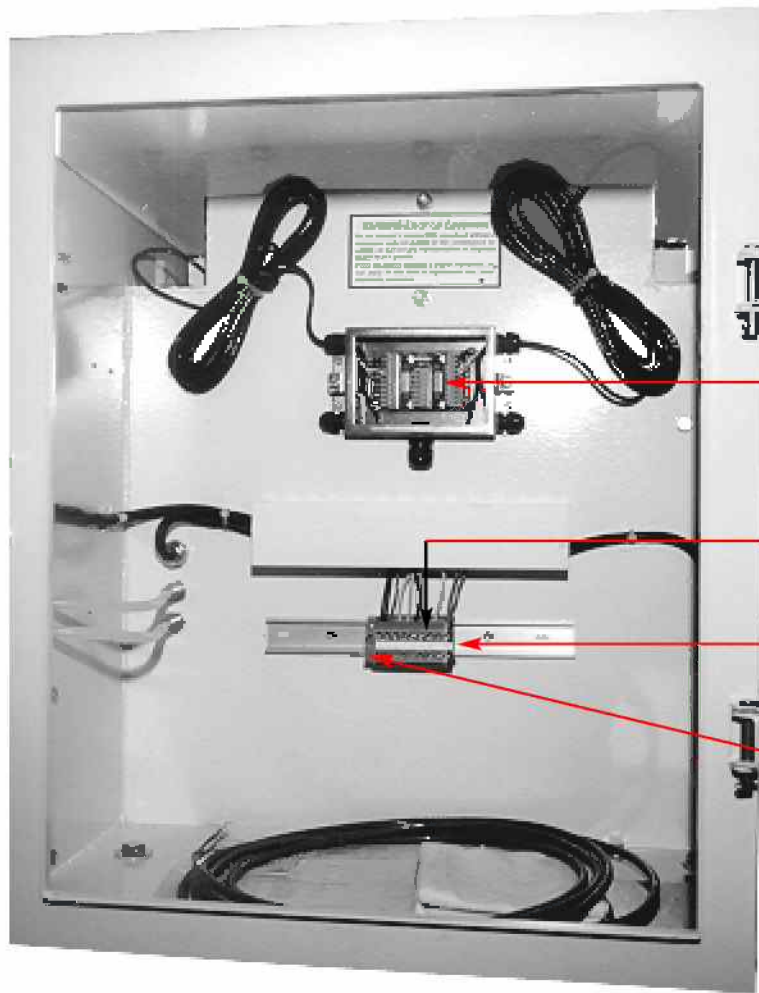
**JEM INTERNATIONAL, INC.**

**PHONE: 913-441-4787 FAX: 913-441-1711**

<b>GSE DIGITAL CONTROLLER PARTS</b>					
83US21584	Cylinder Hopper SS				
8953100000	Valve 3 Stat 110 Volt				
8953120220	Valve 3 Stat 220 Volt				
8953100001	Solenoid for CM Valve SMC 110 Volt	R	1		2
8953110222	Solenoid for CM Valve SMC 220 Volt	R	1		2
9500380000	Terminals				
9500410000	Terminal Ground				
9500440000	Terminal Fuse Holder				
200665-00020	Controller Model 665				
	<b>Simplex Scale</b>				
13-10-7050	Fuse 600 series main PCB	R	5		
24660B-122AO	I/O Module 2 input/2 output R (Simplex)	R	1		
24660B-130AO	I/O Module 4 position SBM. AC (Simplex)	R	1		
	<b>Duplex Scale</b>				
13-10-4500	Fuse for relay board 600 series	R			5
13-10-7050	Fuse 600 series main PCB	R			5
19-30-0310	Relay 1781-OA5S Output 12-1	R			3
19-30-1910	Relay 1781-IA5S Input 90-140	R			3

**R=RECOMMENDED SPART PARTS**

**When ordering parts be sure to advise scale construction material, mild steel or stainless**



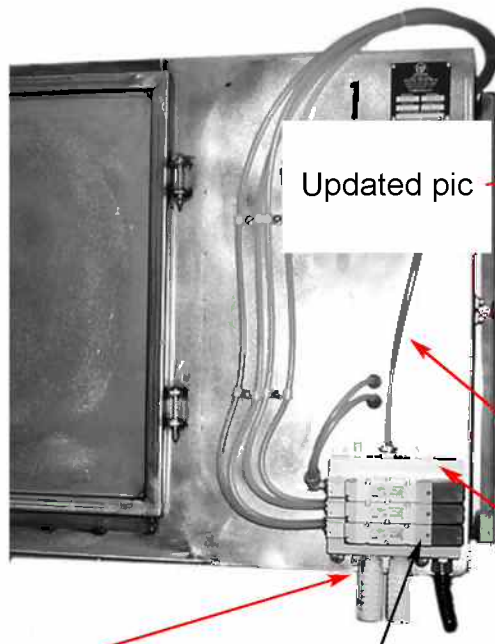
Summing box  
7800550604

Terminals  
9500380000

Terminal ground  
9500410000

Terminal fuse holder  
9500440000

Filter Regulator Ass'y  
3770330046



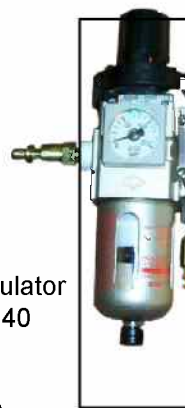
Updated pic

Muffer  
8953100002

Solenoid Only  
8953100001 for 110 V  
8953110222 for 220 V

3/8 Air line  
8282506666

Complete Valve  
8953100000 for 110V  
8953120220 for 220V

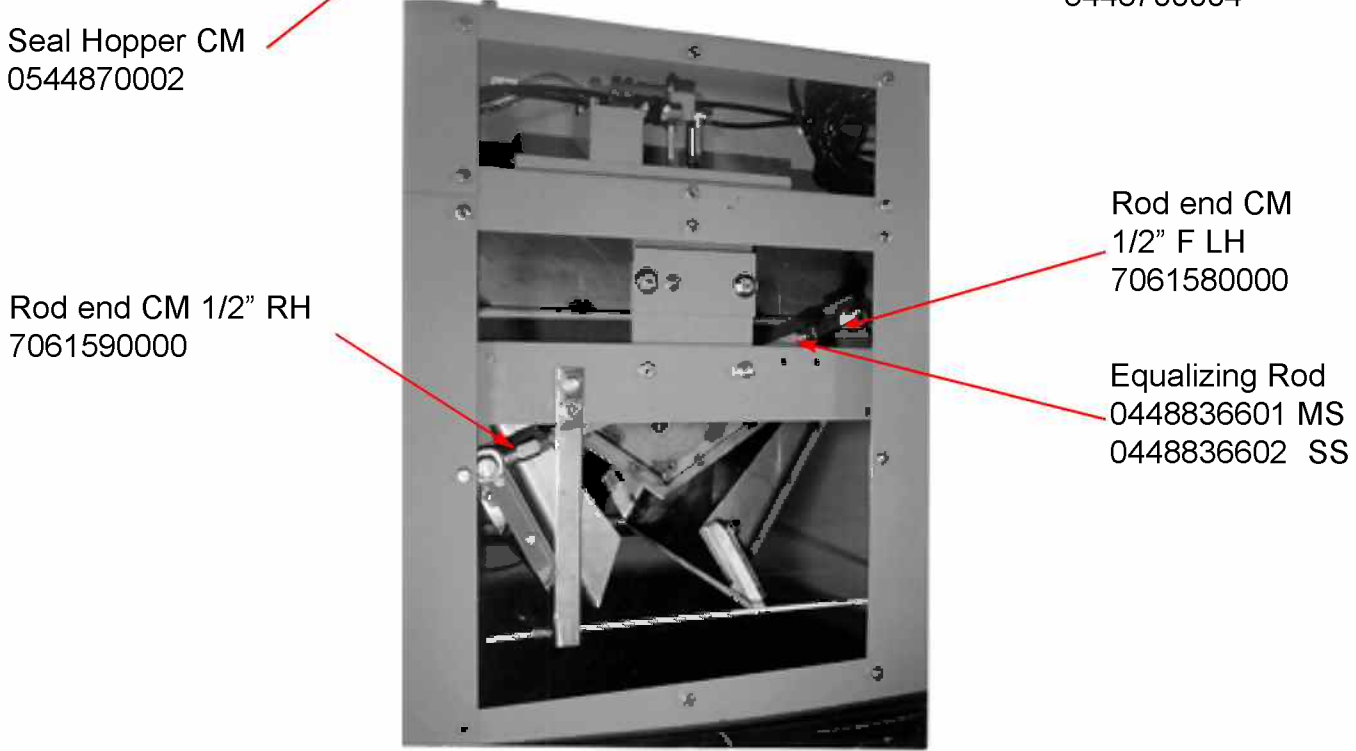
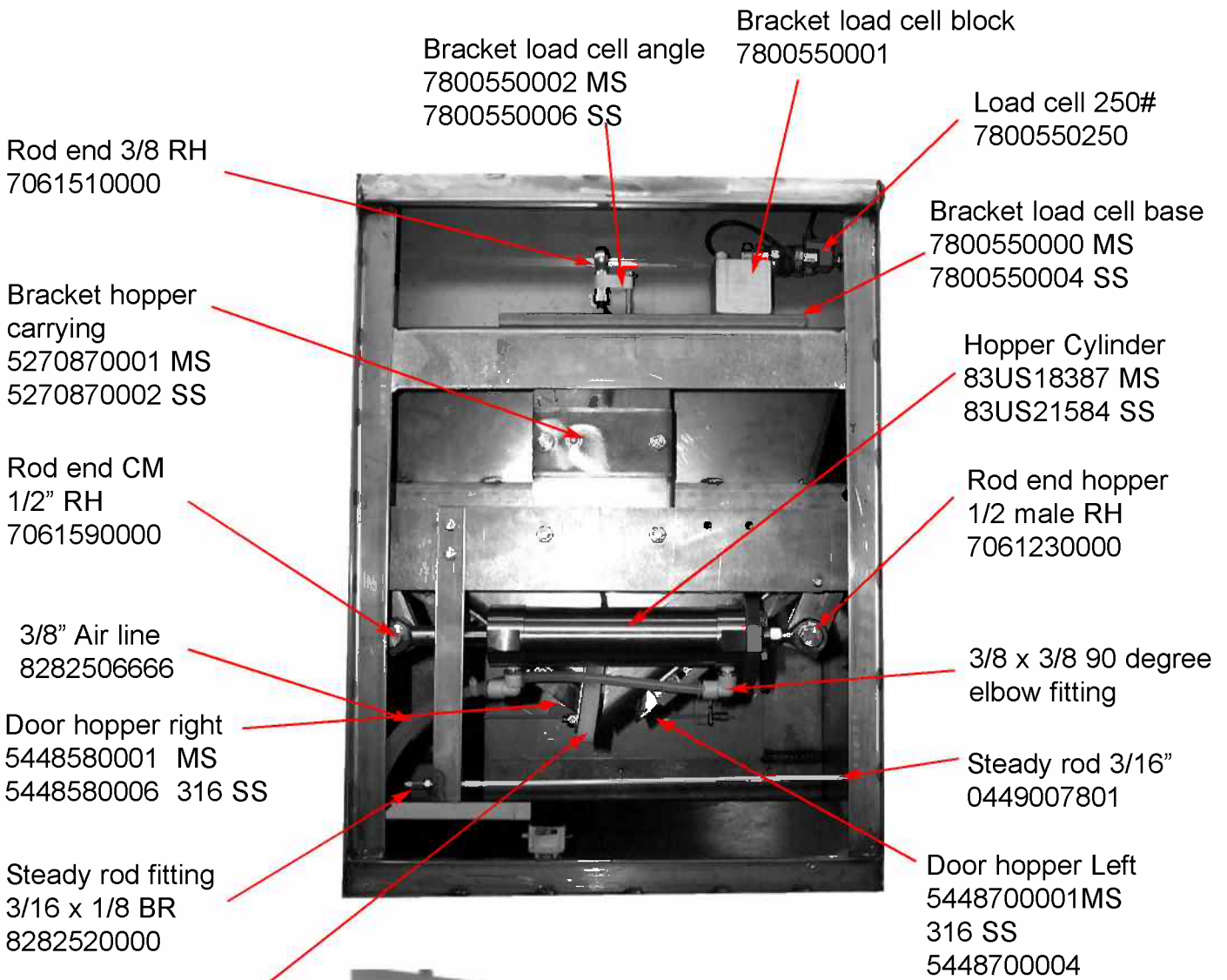


Filter Regulator  
3770330040

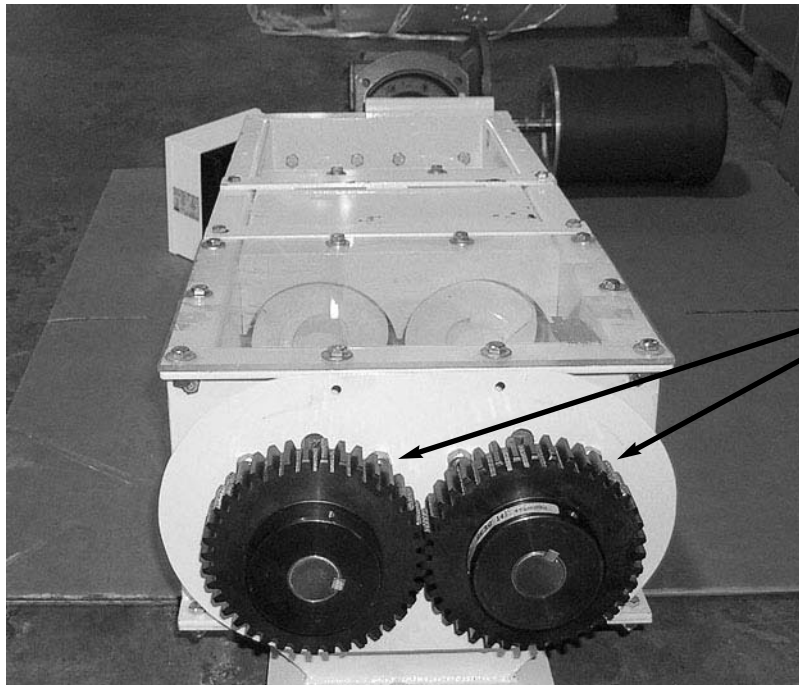
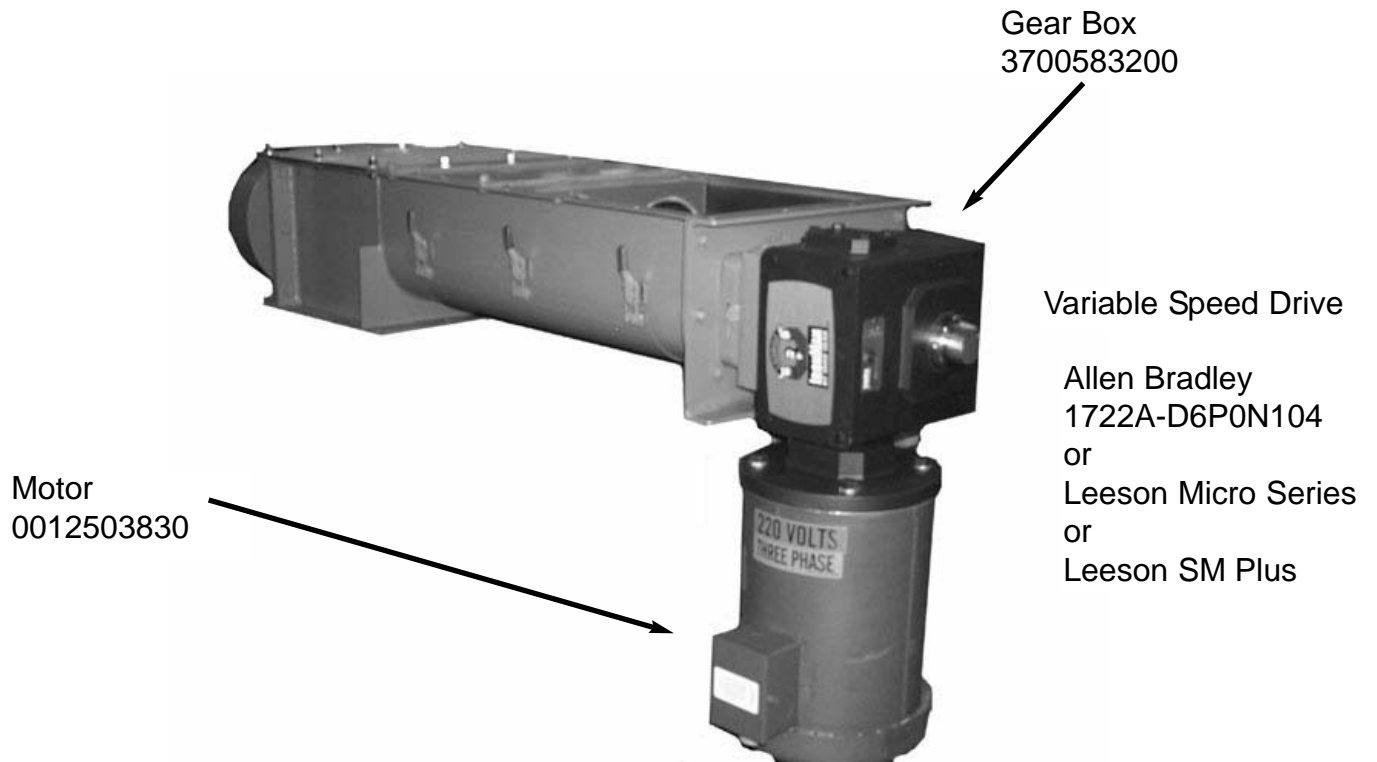
Regulator  
3770330041

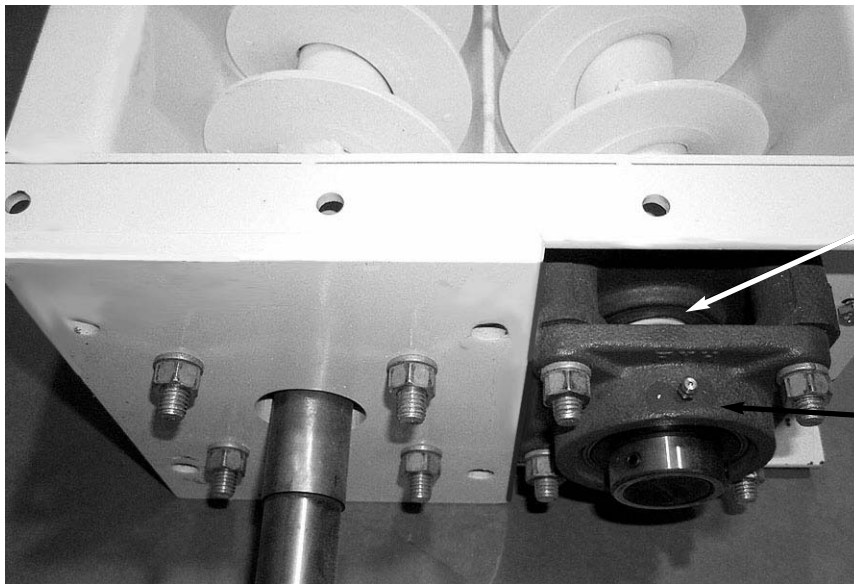
3/8 x 1/4  
straight fitting

3/8 x 1/4 elbow  
fitting



# TWIN AUGER FEEDER



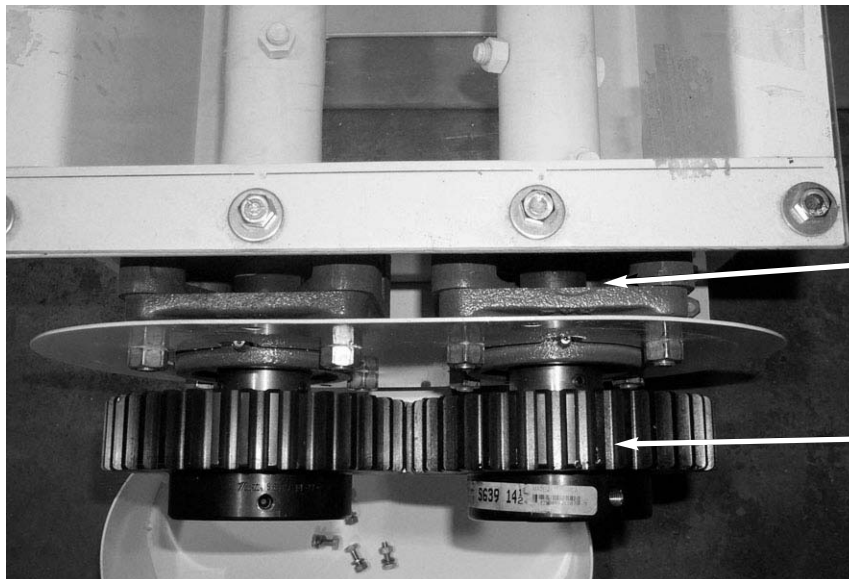
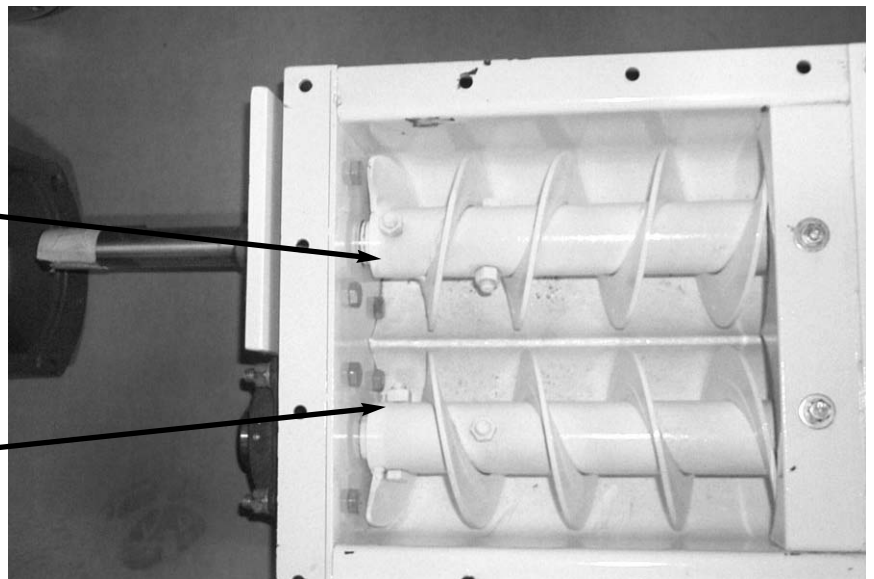


Seal  
7620260000

Bearing  
7640240000

Auger Screw left hand  
3500170000

Auger Screw right hand  
3500160000

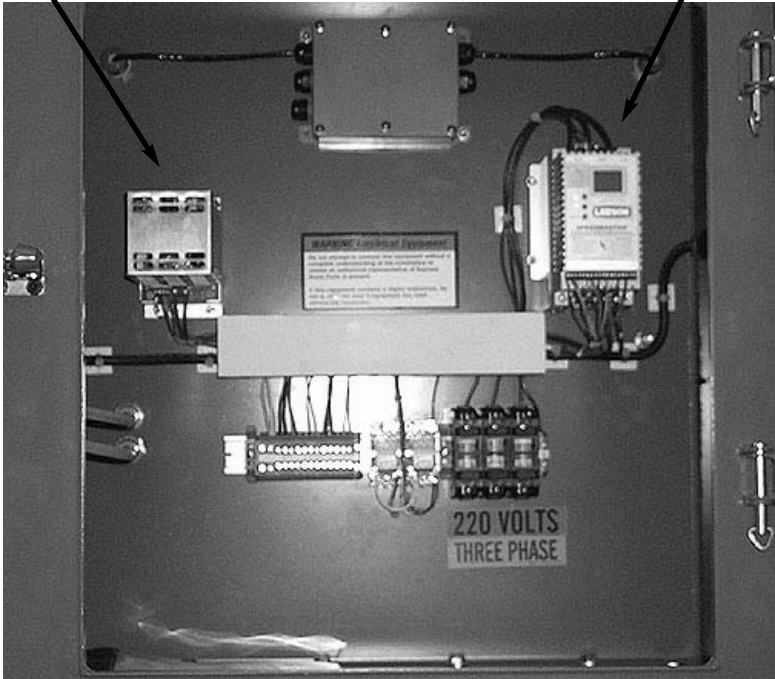


Seal  
7620260000

Spur gear  
0265000000

Dynamic Brake Resistor

Leeson Variable Speed Drive



# CM DUST TIGHT SPOUT MS and SS

Bearings SS  
7623140004 SS  
7623140002 MS

Cylinder  
8333260003 AS  
8333260000 MS

L Bracket  
5448200006 SS  
5448200004 MS  
Spring (not shown)  
5448200005

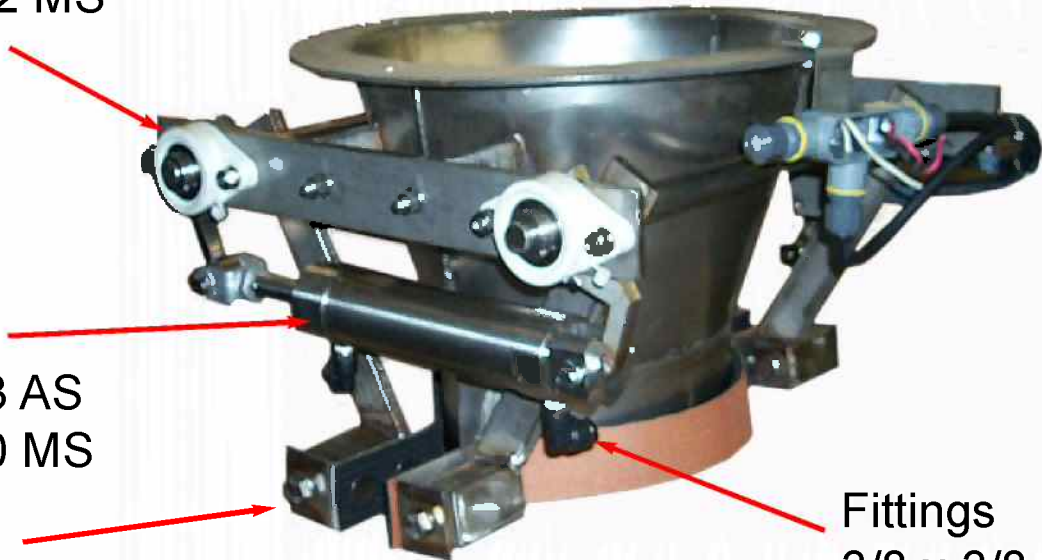
Fittings  
3/8 x 3/8 elbow

Switch  
2795900005

Switch wand  
27959000010

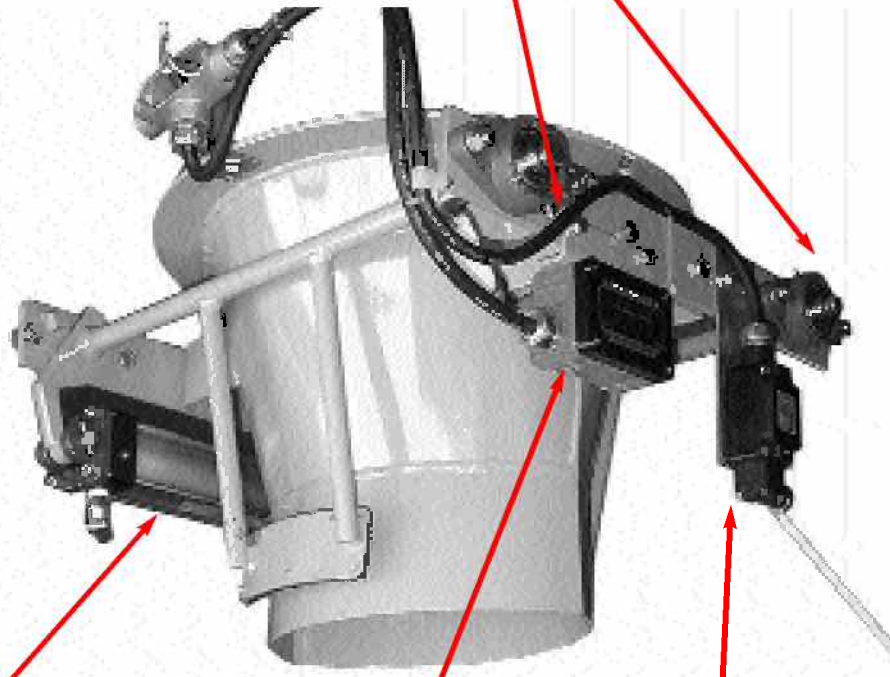
Clevis  
8333260002

Bag Grip  
3799990000



# CM CENTER GRIP SPOUT MS and SS

BEARINGS  
7623140002 Mild Steel  
7623140004 SS  
Recommended 2



CYLINDER SPOUT AO  
8333260000 Mild Steel  
OR 8333260003 SS  
Recommended 1

MICRO SWITCH  
2795900000 Mild Steel  
2795900005 SS  
Recommended 1

HAND SWITCH  
3770320000 Mild Steel  
2795900010 SS  
Recommended 1