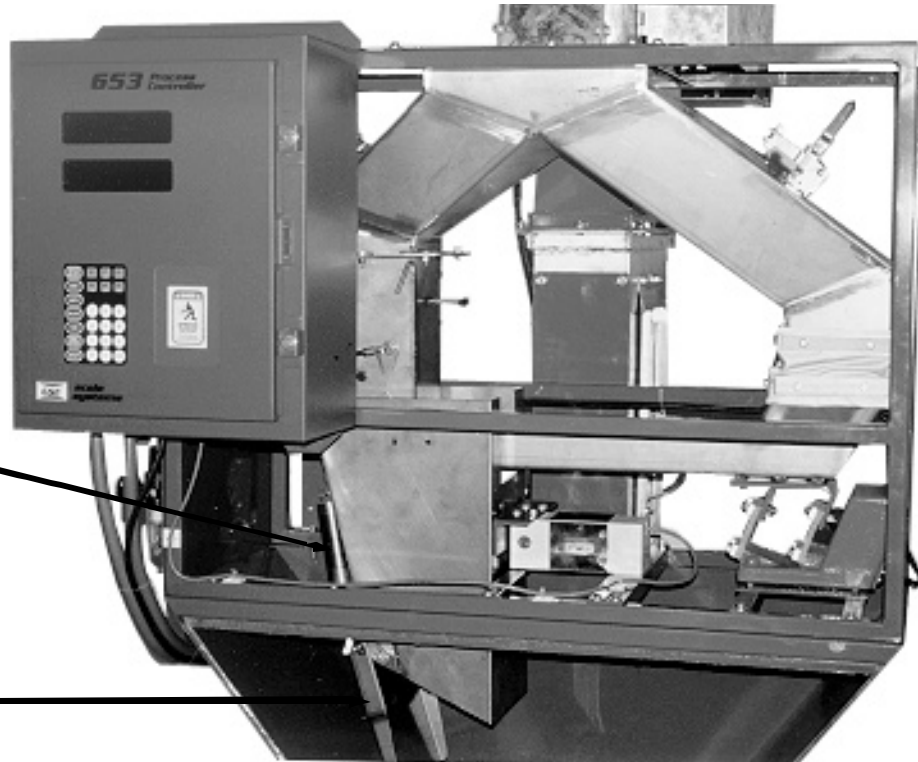


(Controllers shown may vary)

Size and model number may vary with each scale. Please advise model when requesting spare parts.



Hopper cylinder  
8332820000

Hopper Door  
5000080001

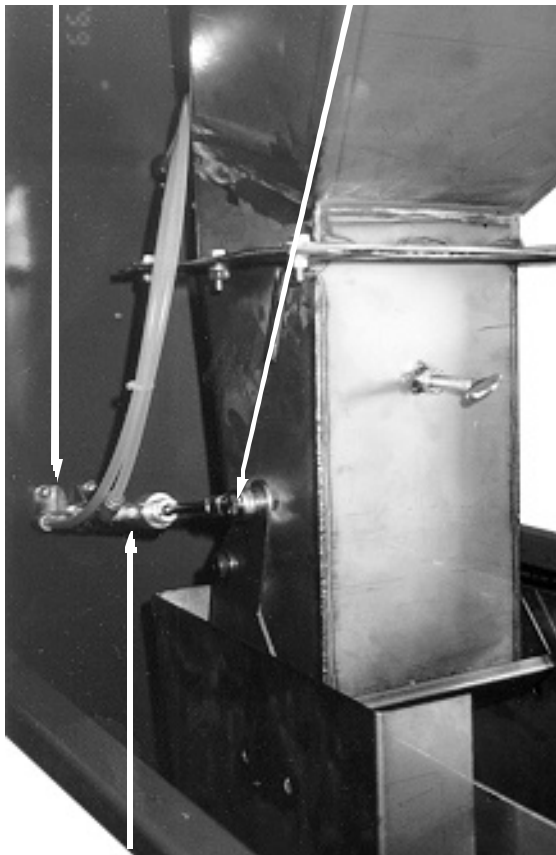
Clevis rear gate  
8332810003

Rod end 1/4"  
7061400000

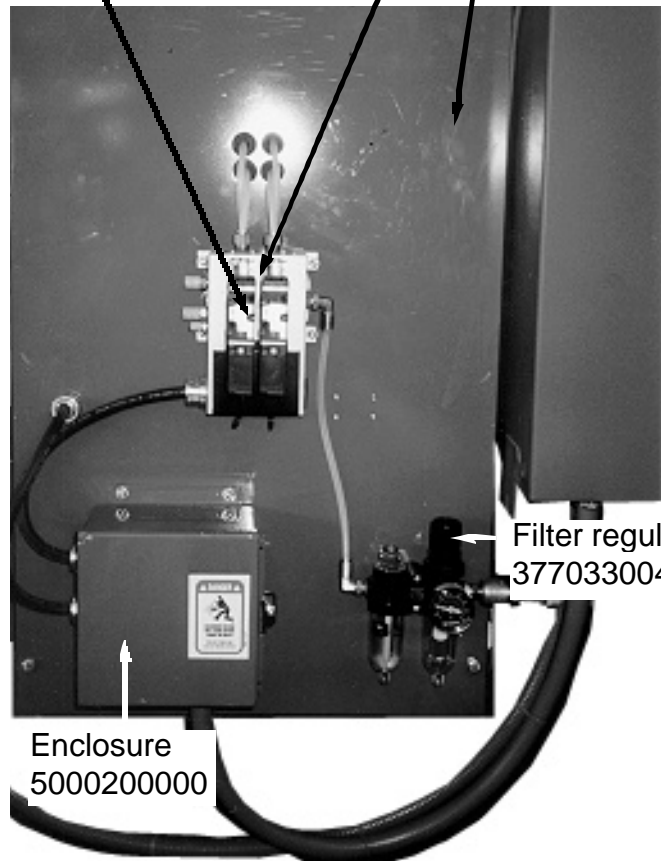
Solenoid replacement  
3770870001

2 station valve  
3770870002  
Ass'y

End panel  
5000260005



8332810000



Enclosure  
5000200000

Filter regulator  
3770330040

# DUST TIGHT SPOUT MS and SS

Bearings SS  
7623140004 SS  
7623140002 MS

Cylinder  
8333260003 SS  
8333260000 MS

L Bracket  
5448200006 SS  
5448200004 MS  
Spring (not shown)  
5448200005

Fittings  
17KQ2L1135S SS  
17KQ2L1136 MS

Hex nut  
(not shown)  
5448200036 SS  
5448200035 MS

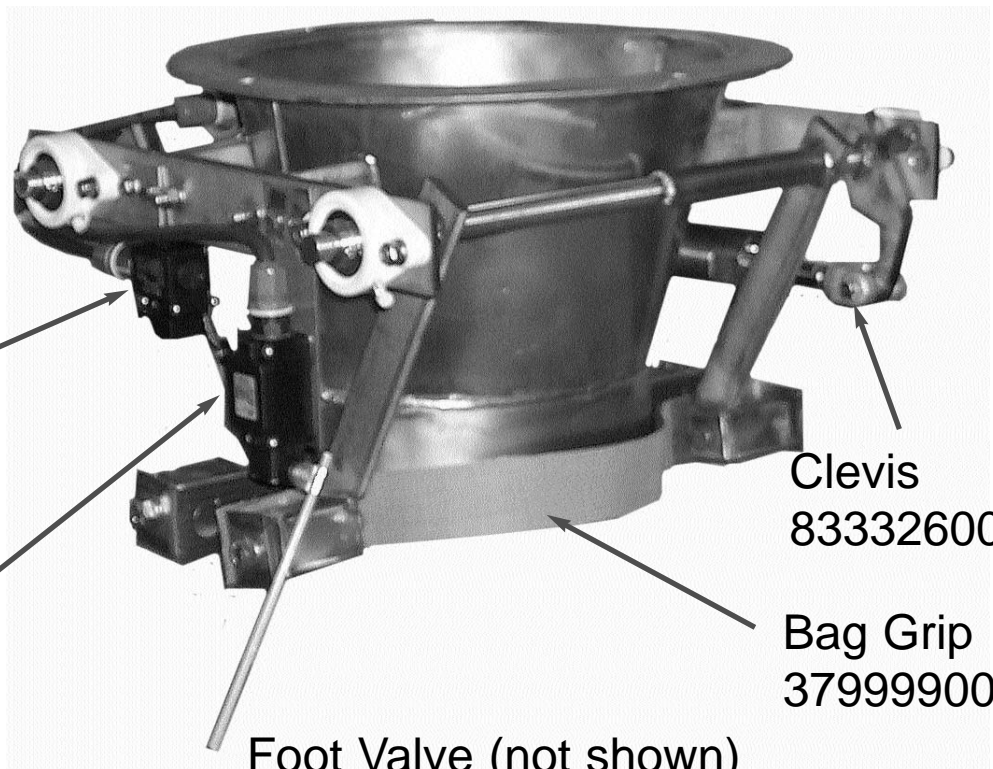
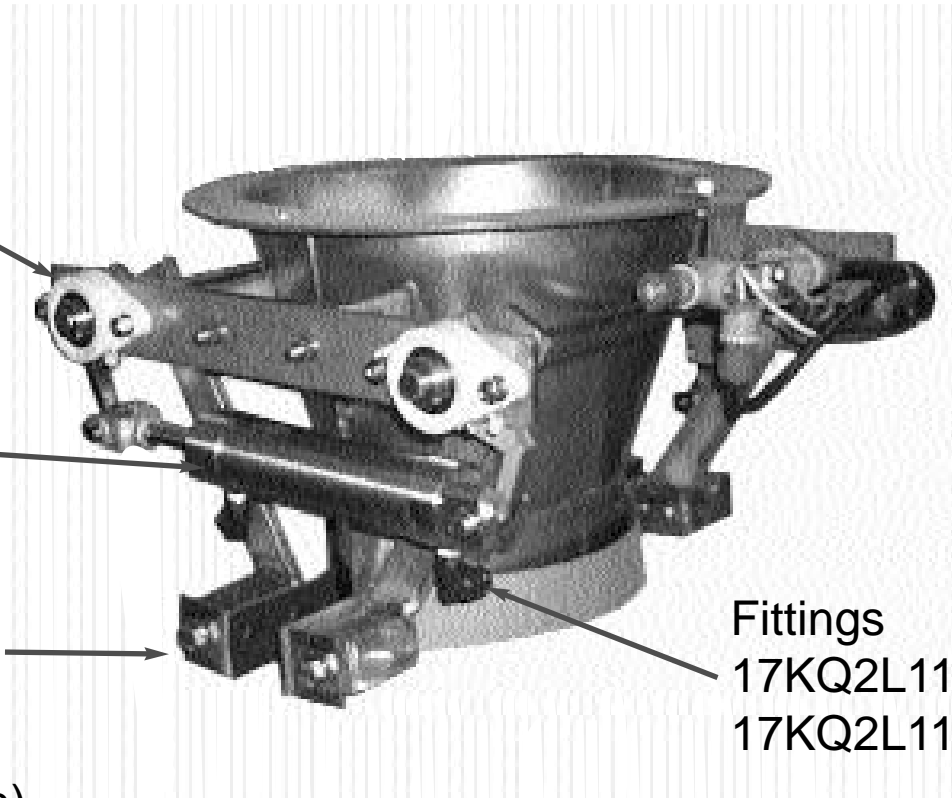
Switch  
2795900005 SS  
2795900000 MS

Switch wand  
2795900010 SS  
3770320000 MS

Clevis  
8333260002

Bag Grip  
3799990000

Foot Valve (not shown)  
8953050002



# CENTER GRIP SPOUT MS and SS

BEARINGS  
7623140002 MS  
7623140004 SS  
Recommended 2

Fitting for MS Cylinder  
17KQ2L1136S  
Fitting for SS Cylinder  
17KQ2L1135S



HAND SWITCH  
3770320000 MS  
2795900010 SS  
Recommended 1

CYLINDER SPOUT AO  
8333260000 MS  
OR 8333260003 SS  
Recommended 1

MICRO SWITCH  
2795900000 MS  
2795900005 SS  
Recommended 1

**JEM INTERNATIONAL, INC.**  
**PHONE: 913-441-4787 FAX: 913-441-1711**

**5GV BAGGING SCALE PARTS LIST**

PART #	DESCRIPTION	CODE	Simplex	Duplex	Triplex
3700510000	Switch foot 700	R	1	1	2
3770330040	Filter regulator GJC5	R	1	1	1
3770330057	Bowl FR	R	1	1	1
3770330056	Spring, pressure limiter 50 lb	R	1	1	1
3770870001	Valve replacement, single valve	R	1	2	2
3770870002	Valve 2 JM				
3770880001	Bushing for Hopper 5GV	R	2	4	4
3770900000	Bushing for Gate 5GV	R	2	4	4
5000010001	Gate SS GV				
5000020040	Hopper SS GV .4				
5000020060	Hopper SS GV .6				
5000020100	Hopper SS GV 1.0				
5000030001	Top Chute SS GV				
5000060003	Diverter SS GV				
5000060004	Bracket Skirt Short GV SS				
5000070002	Tray vibrator SS GV 3"				
5000070003	Tray vibrator SS GV 5"				
5000070004	Bracket Skirt Long GV SS				
5000080001	Door Hopper SS GV (specify size)				
5000100000	Vibrator GV				
5000120004	Transition SS GV				
5000160000	Gate shoulder bolt GV				
5000200000	Enclosure 6x6x4 5GV				
5000240000	Stand GV-51 (.4 or .6 cubic foot)				
5000260035	Housing side frame GV				
5000260036	Cross Brace for .4 or .6 hopper				
5000260005	End panel 5GV				
5000280000	Bracket vibrator mount GV				
5000340000	Bracket, single load cell 5GV				
6034500000	Toggle Clamp GV				
7061400000	Rod end 1/4 RH				
7791770000	Dust Skirt GV	R	1	2	2
7800013665	Controller model 660				
7800550051	Load Cell single point GV	R	1	1	1

**5GV BAGGING SCALE PARTS LIST**

PART #	DESCRIPTION	CODE	Simplex	Duplex	Triplex
8282500000	Brass Fittings straight or "L"	R	10	10	15
8282504444	Airline 1/4"	R	30'	30'	30'
8332810000	Cylinder Gate 5GV	R	1	1	2
8332810003	Clevis Rear Gate GV				
8332820000	Cylinder Hopper GV	R	1	1	2
8332820002	Clevis Front hopper GV				
8332830003	Clevis Rear Hopper GV				

**GSE 660 CONTROLLER SPARE PARTS**

PART #	DESCRIPTION	CODE	Simplex	Duplex	Triplex
13-10-4500	Fuse for relay board	R	5	5	5
13-10-7050	Fuse, main PCB	R	5	5	5
19-30-0310	Output relay 12-140V @3A Mode	R	3	3	3
19-20-0314	Relay #1781 Ro5S Output. DC	R	1	1	1
19-30-1910	Input relay 90-140V	R	3	3	3
24660B-102C0	SCR control 660	R	1	1	1
24660B-122A0	I/O Module 2 input/2 output	R	1	1	1
24660B-130A0	I/O Module 4 position SBM AC	R	1	1	1
95HBC25DS10	Crydom relay, DC control SC	R	1	1	1

R=Recommended Spare Parts