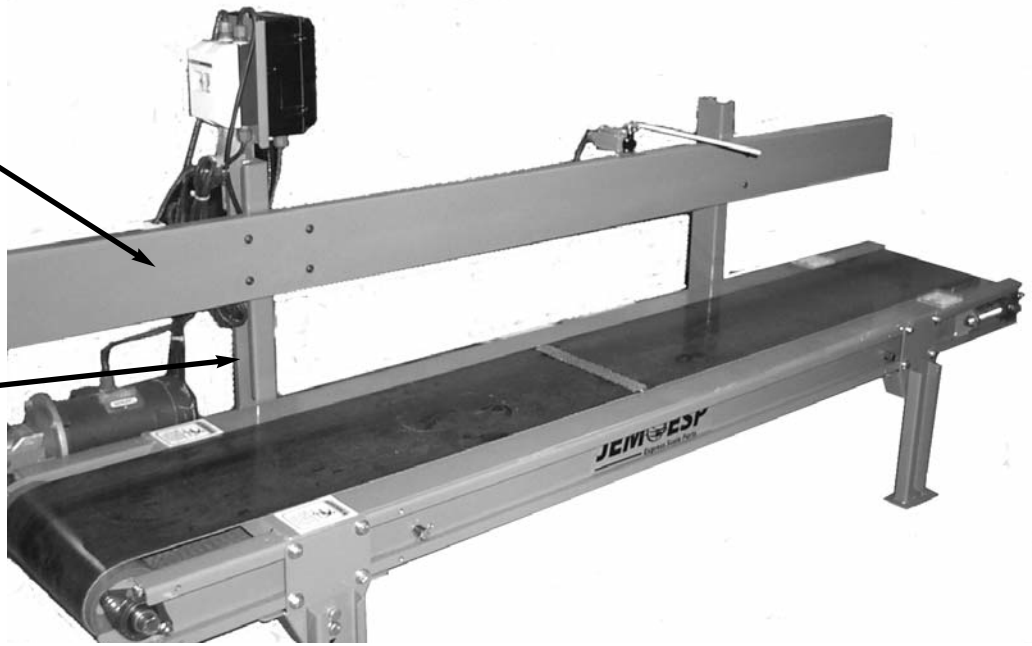


Backrail
50812-2

Rail bracket
50812-8

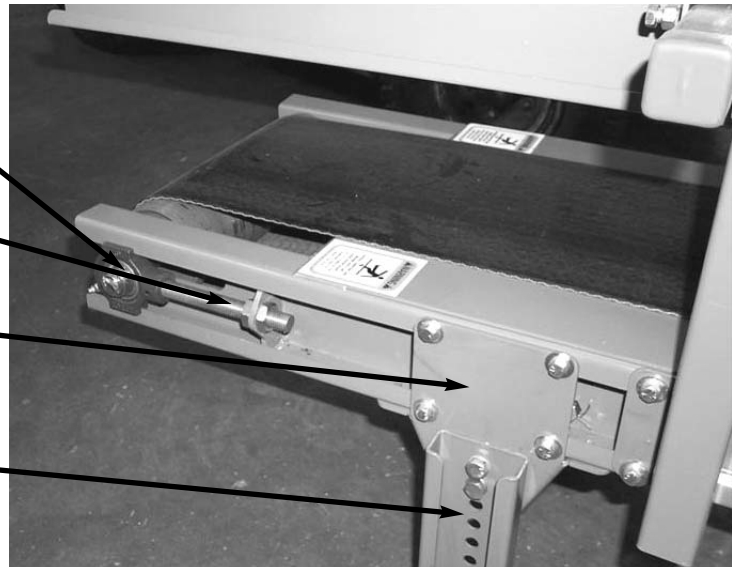


Take up bearing
7623160021

Take up bolt
50812-5

Leg bracket
50812-3

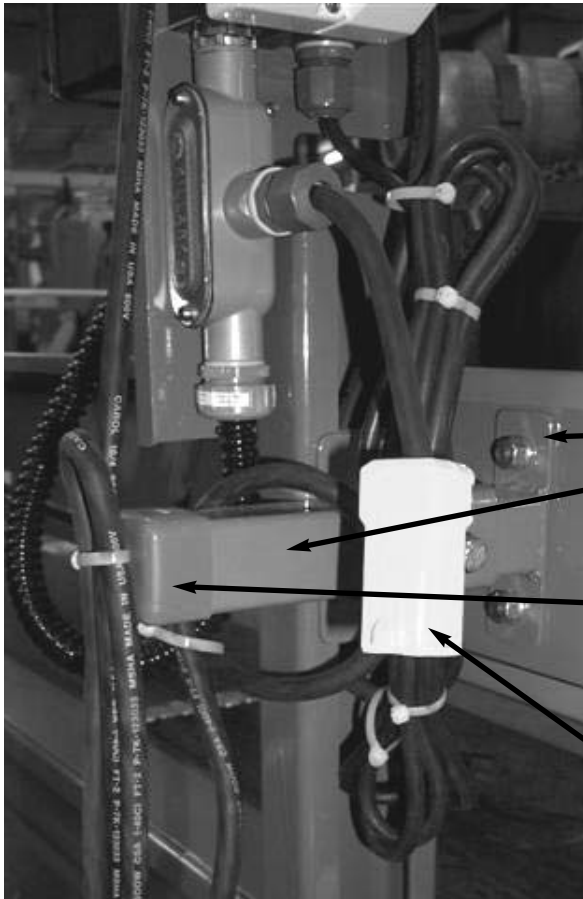
Leg
50812-4



part of switch

Switch
3770320060

Switch bracket
37PCV251



Stand
50812-6

Cap
50812-2

Connector
3700560111



Drive
3700619338

Speed control
adjustment

Start/stop switch

Drive bracket
50812-7

Motor
0012003330

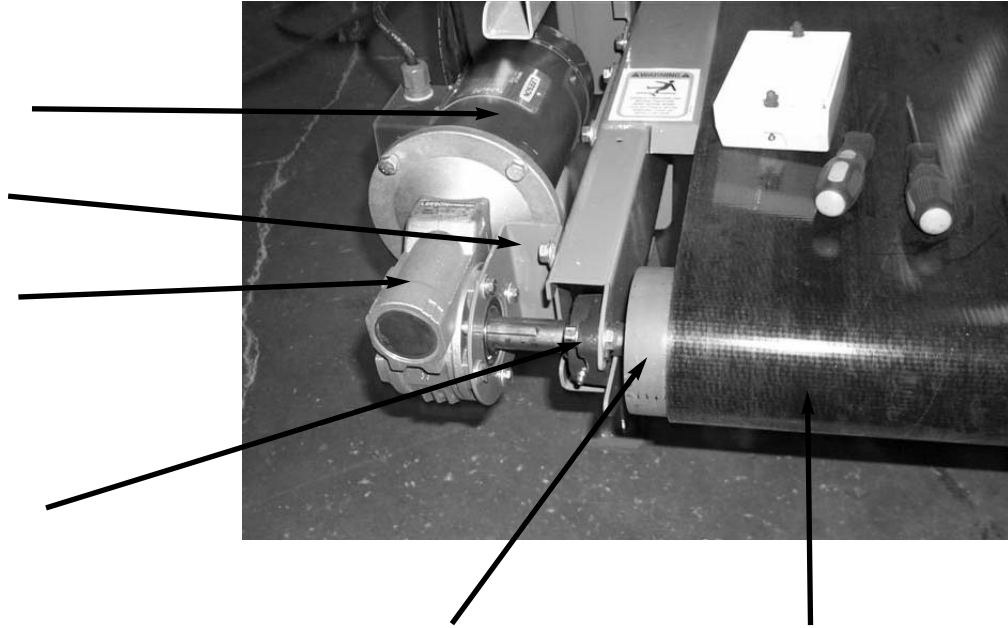
Gear box bracket
50812-9

Gear box
3700581360

Fixed Bearing
7623160000

Head pulley
3745140001

Belt
3700010508



FOR USE WITH SEWING HEADS ONLY

Foot switch
3700500000

