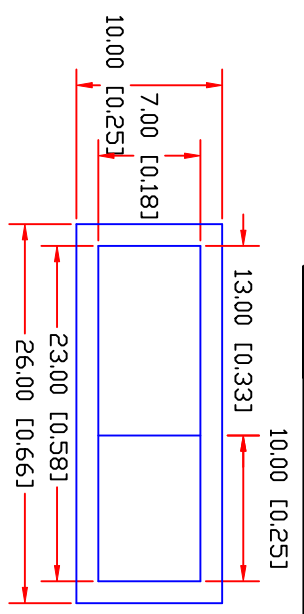


REV. A
 REV. B
 REV. C
 REV. D
 REV. E
 REV. F
 REV. G

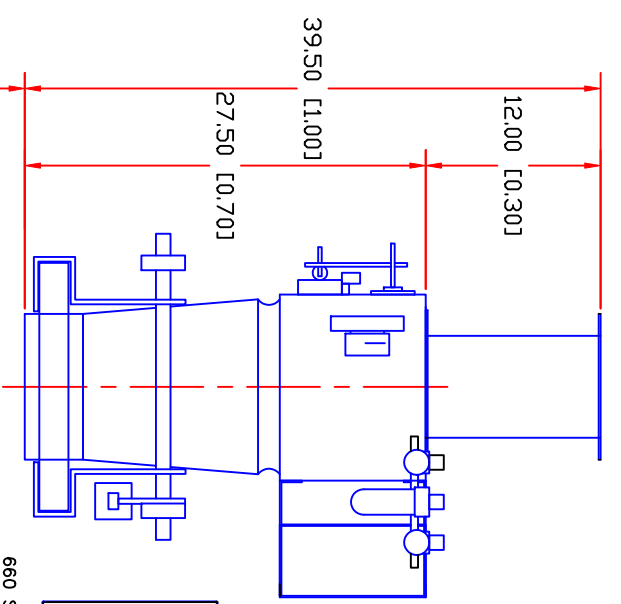
EXPRESS SCALE PARTS, INC.
 6873 MARTINDALE RD. SHAWNEE, KANSAS 66218 (913) 441-4787

NAME
 JMDT- GRAVITY / VIBRATORY GROSS WEIGH SCALE

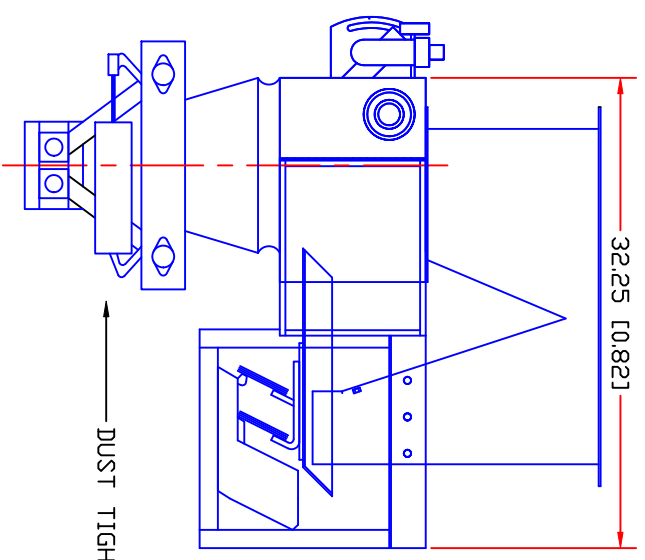
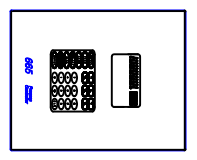
REV.	TOLERANCE	MATERIAL	SCALE	PART NUMBER
REV. F			D.N.S.	
REV. G	DRAWING NUMBER	DRAWN BY	DATE	PART NUMBER
	SJM015G	J GOUDY	08-02-11	



JMDT - GRAVITY / VIBRATORY
 GROSS WEIGH SCALE



660 SERIES WEIGHT BASED
 PROCESS CONTROLLER
 (9-1/2" WIDE x 11-1/2" TALL)



DUST TIGHT SPOUT