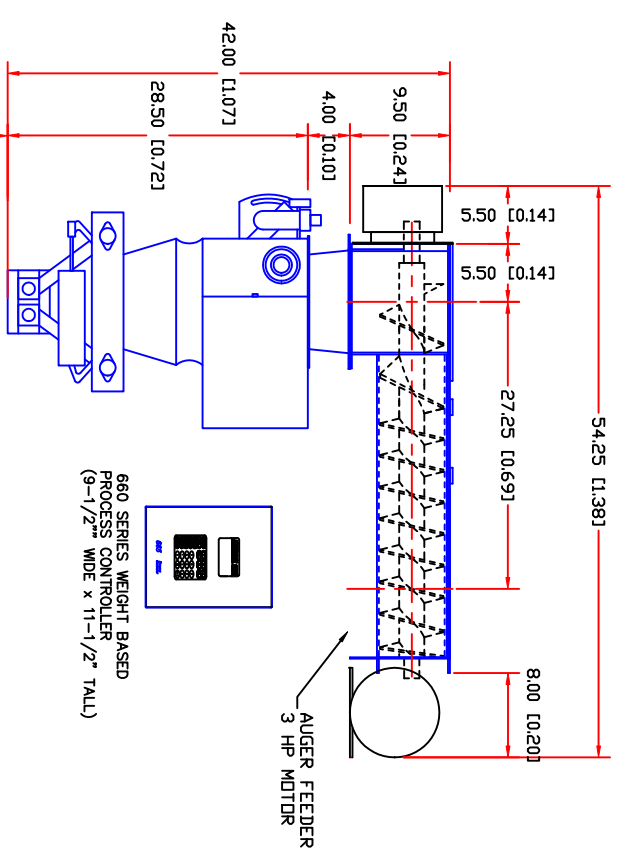
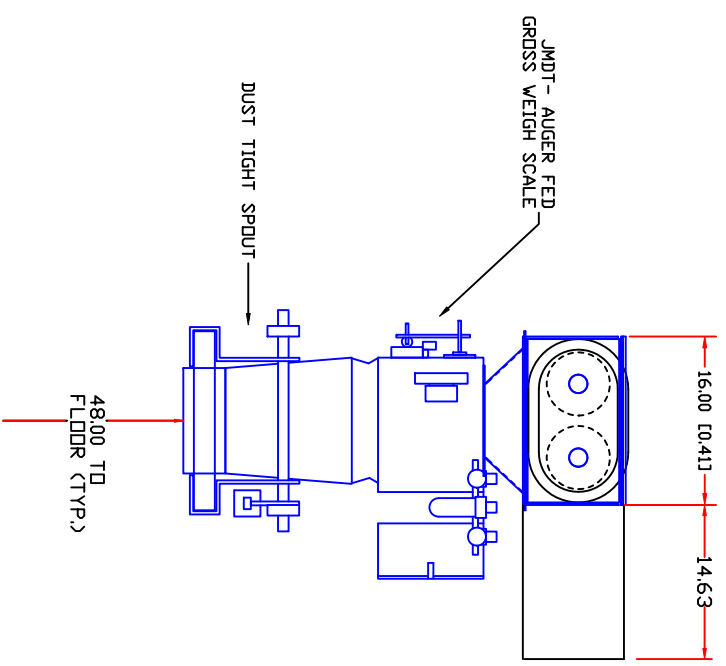
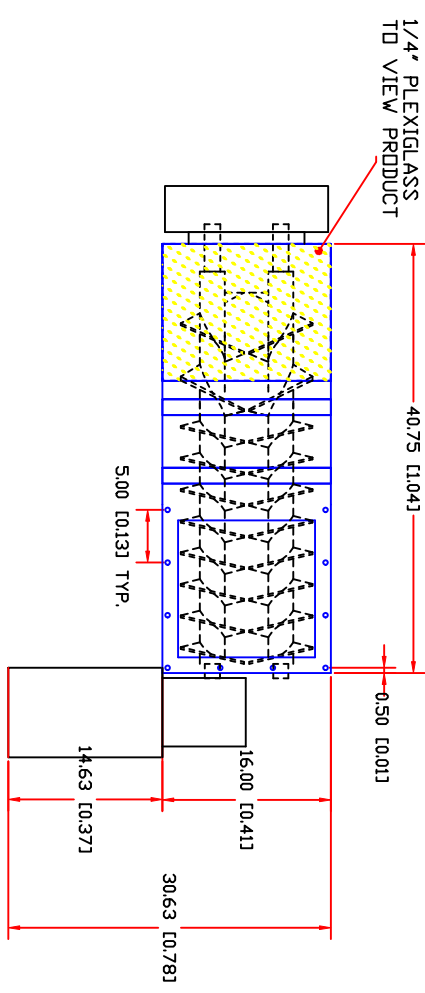
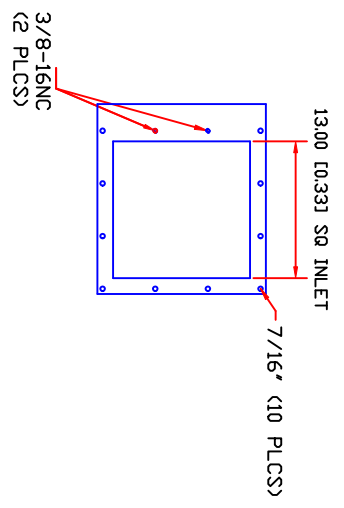


REV. A  
 REV. B  
 REV. C  
 REV. D  
 REV. E  
 REV. F  
 REV. G

**EXPRESS SCALE PARTS, INC.**  
 6873 MARTINDALE RD. SHAWNEE, KANSAS 66218 (913) 441-4787

NAME  
 JMDT-2-D AUGER FED GROSS WEIGH SCALE,  
 DUST TIGHT SPOUT

TOLERANCE	MATERIAL	SCALE	PART NUMBER
DRAWING NUMBER	DRAWN BY	DATE	PART NUMBER
SJM033G	J GUDY	08-02-11	



660 SERIES WEIGHT BASED  
 PROCESS CONTROLLER  
 (9-1/2" WIDE x 11-1/2" TALL)