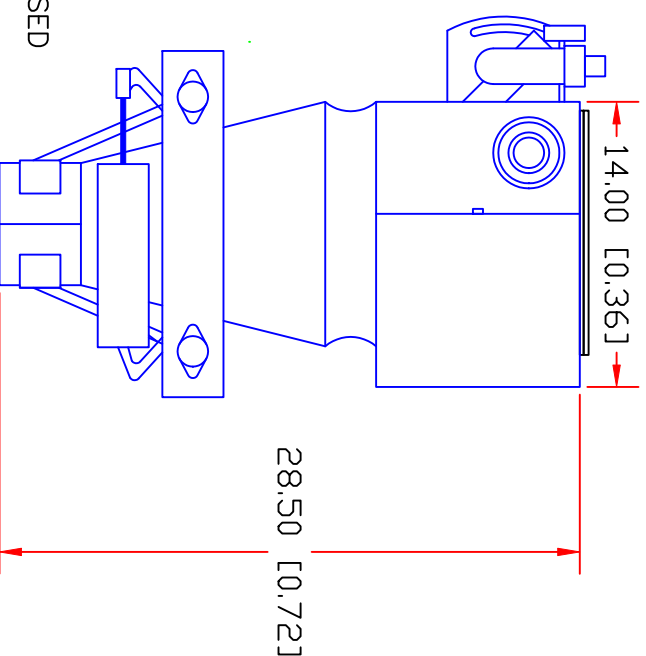
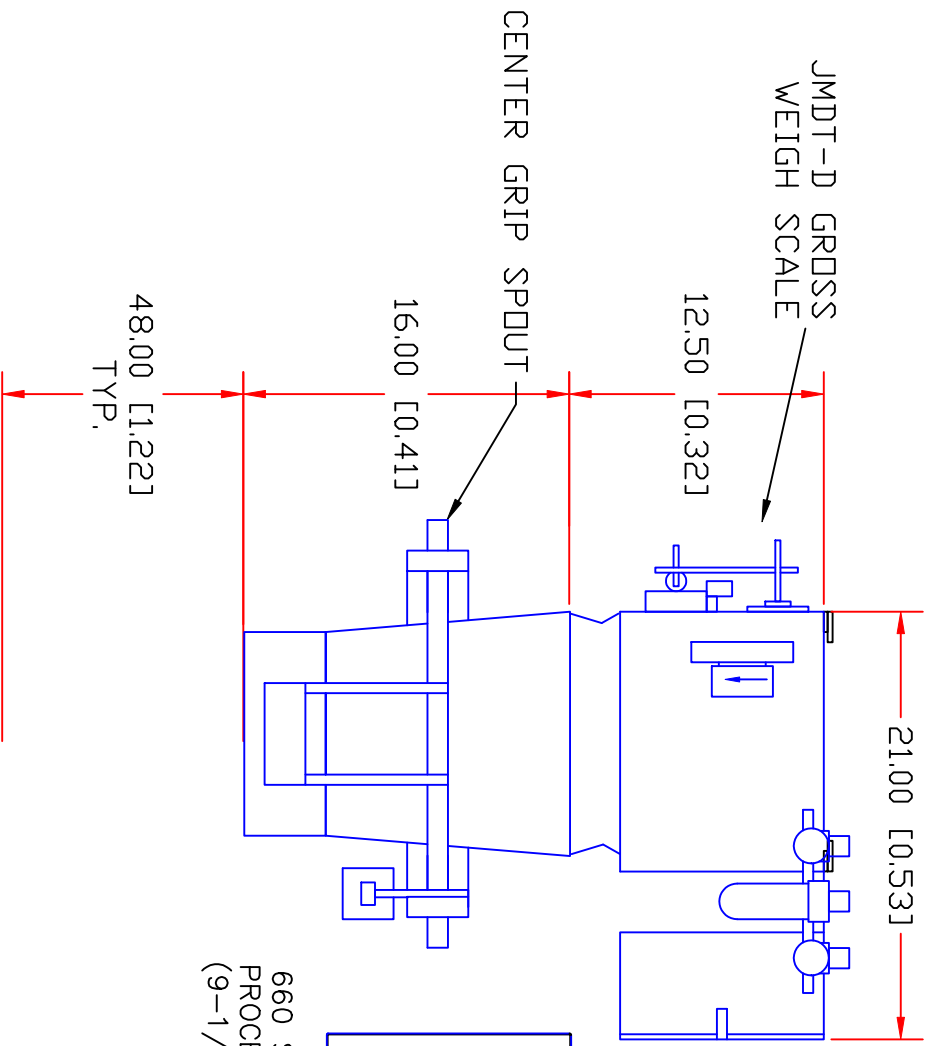
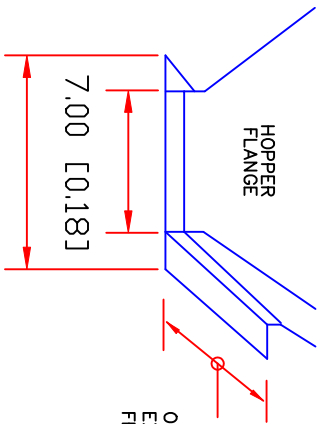


REV. A  
 REV. B  
 REV. C  
 REV. D  
 REV. E  
 REV. F  
 REV. G

**EXPRESS SCALE PARTS, INC.**  
 6873 MARTINDALE RD. SHAWNEE, KANSAS 66218 (913) 441-4787  
 NAME  
 JMCg-D GROSS WEIGH SCALE

TOLERANCE	MATERIAL	SCALE	PART NUMBER
DRAWING NUMBER	DRAWN BY	DATE	PART NUMBER
SJM012CG J	GOUDY	08-02-11	

14" [0.36] MAX.  
 OPENING IN HOPPER MUST NOT EXCEED 7" [0.18] ACROSS THE FRONT AND 9" [0.23] FRONT TO REAR



660 SERIES WEIGHT BASED  
 PROCESS CONTROLLER  
 (9-1/2" WIDE x 11-1/2" TALL)

