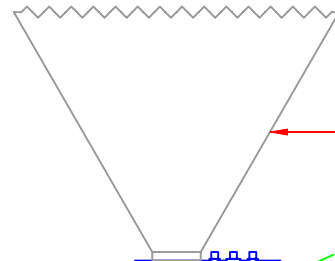
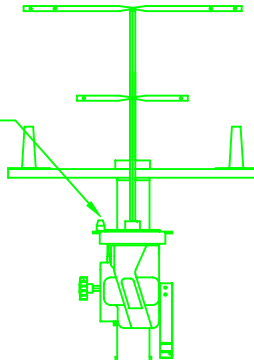


OPENING IN HOPPER MUST NOT EXCEED 7" ACROSS THE FRONT AND 9" FRONT TO REAR

MODEL 995 PORTABLE SEWING PEDISTAL

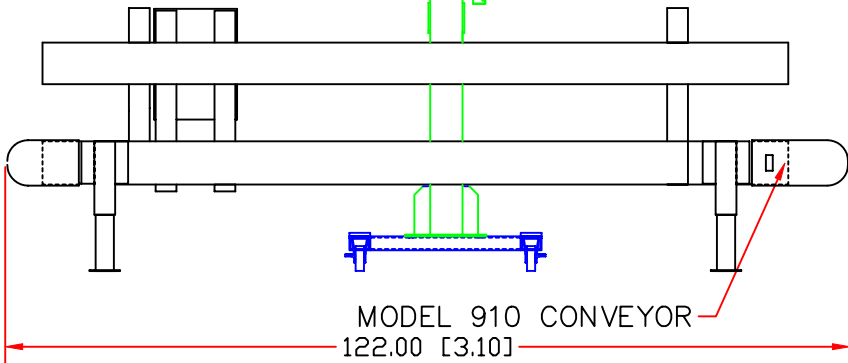
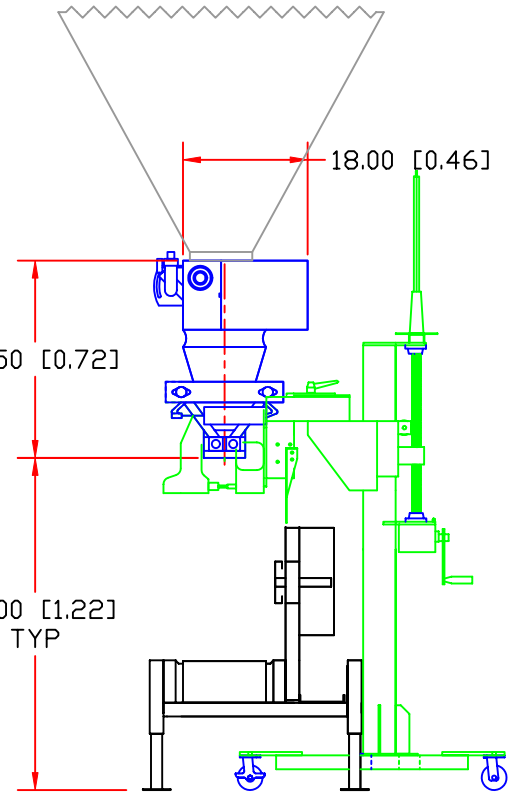


BIN BY OTHERS

JMDT31-D GROSS WEIGH SCALE



660 SERIES WEIGHT BASED PROCESS CONTROLLER (9-1/2" WIDE x 11-1/2" TALL)



MODEL 910 CONVEYOR

122.00 [3.10]

REV. A	<b>EXPRESS SCALE PARTS, INC.</b>			
REV. B	6873 MARTINDALE RD. SHAWNEE, KANSAS 66218 (913) 441-4787			
REV. C	NAME JM-DT SCALE, 910 CONVEYOR, 995 PEDISTAL			
REV. D	FOR			
REV. E				
REV. F	TOLERANCE	MATERIAL	SCALE D.N.S.	PART NUMBER
REV. G	DRAWING NUMBER SJM925	DRAWN BY COUGHLIN	DATE 01-29-03	PART NUMBER