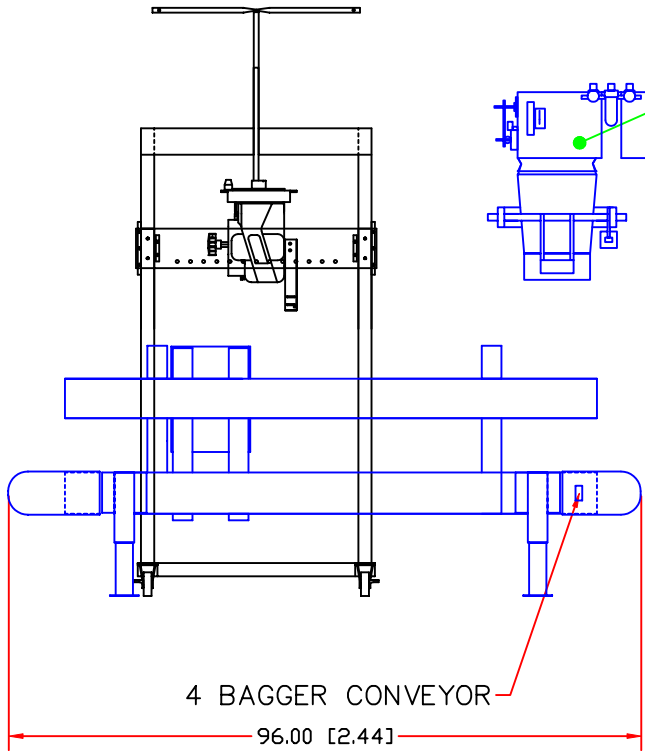


14" [0.36] MAX.

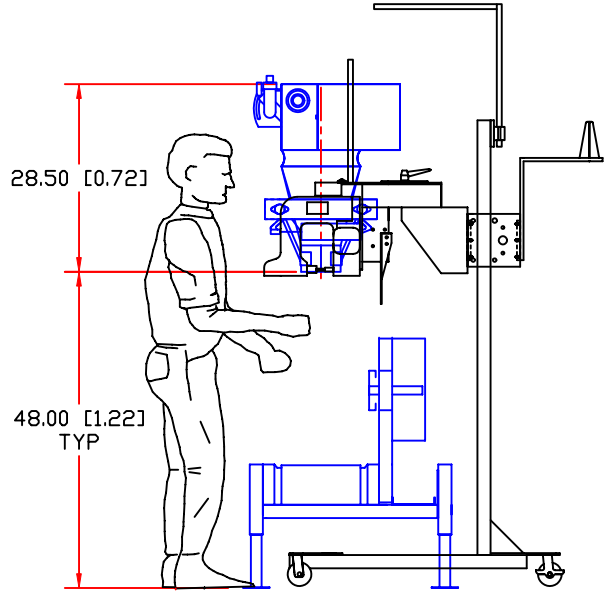
OPENING IN HOPPER MUST NOT EXCEED 7" [0.18] ACROSS THE FRONT AND 9" [0.23] FRONT TO REAR



JMCG-2-D GROSS WEIGH SCALE



960 SERIES WEIGHT BASED PROCESS CONTROLLER (9-1/2" WIDE x 11-1/2" TALL)



4 BAGGER CONVEYOR

96.00 [2.44]

REV. A	EXPRESS SCALE PARTS, INC.			
REV. B	6873 MARTINDALE RD. SHAWNEE, KANSAS 66218 (913) 441-4787			
REV. C	NAME			
REV. D	JMCG-2-D SCALE, MODEL 908 CONVEYOR WITH MODEL 996 SEWING PEDISTAL			
REV. E	FDR			
REV. F	TOLERANCE	MATERIAL	SCALE	PART NUMBER
REV. G	DRAWING NUMBER	DRAWN BY	DATE	PART NUMBER
	SJM1567	COUGHLIN	11-16-06	
			D.N.S.	