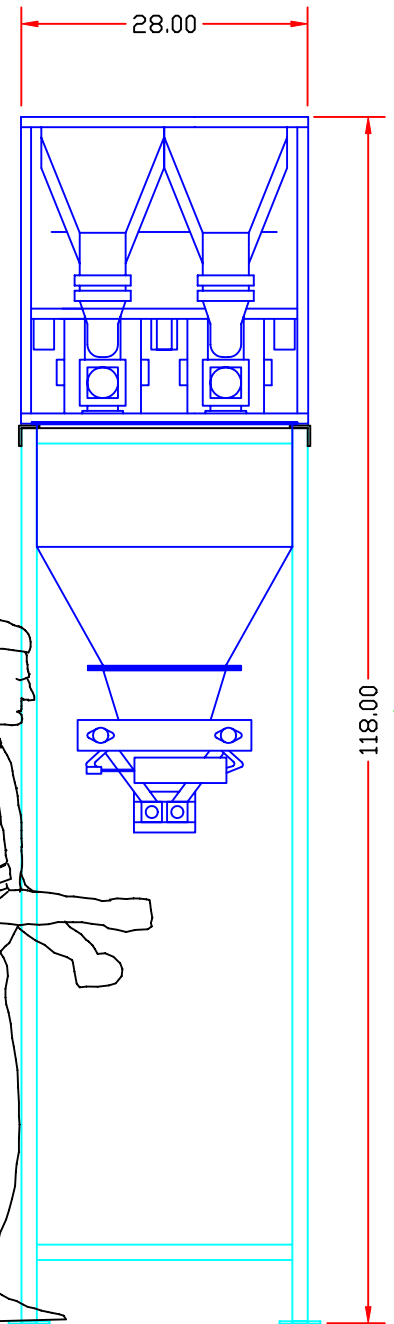


EXPRESS SCALE PARTS
600 SERIES
WEIGHT BASED
PROCESS
CONTROLLER



REV. 1	EXPRESS SCALE PARTS, INC.			
REV. 2	6873 MARTINDALE RD. SHAWNEE, KANSAS 66218 (913) 441-4787			
REV. 3	NAME	5GV DUPLEX (0.4 OR 0.6 CU' HOPPER) GRAV/VIB FEEDER, SUPPORT STAND		
REV. 4	FOR			
REV. 5				
REV. 6	TOLERANCE	MATERIAL	SCALE D.N.S.	PART NUMBER
REV. 7	DRAWING NUMBER SGV674	DRAWN BY COUGHLIN	DATE 07-17-02	PART NUMBER