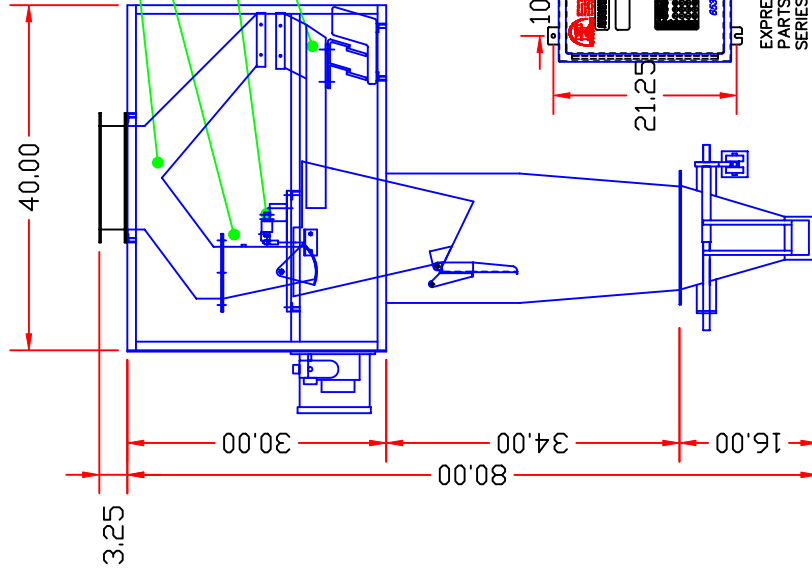
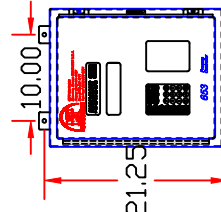


HOPPER TO FIT UP TO
27"x12" WITH 1.5" FLANGE
INLET TO FEED BOTH SCALES

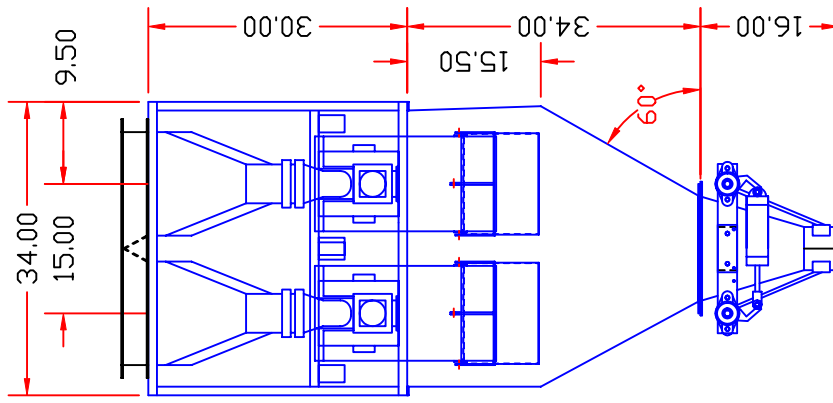


PANT LEG DIVERTER
GRAVITY GATE
FEEDER
(FAST FEED)
SINGLE LOAD
CELL DESIGN
VIBRATORY FEEDER
(SLOW FEED)



EXPRESS SCALE
PARTS 600
SERIES
WEIGHT BASED
PROCESS
CONTROLLER
(110-1-60, 3 AMP)

48.00" TO
FLOOR
TYPICAL



| | | | |
|--------|--|-------------------------------|----------|
| REV. A | | | |
| REV. B | 6875 MARTINDALE RD. SHAWNEE, KANSAS 66218 (913) 441-4787 | | |
| REV. C | NAME | GV-52 DUPLEX (1.0 CU' HOPPER) | |
| REV. D | FOR | GRAY/VIB FEEDER | |
| REV. E | TOLERANCE | MATERIAL | SCALE |
| REV. F | DRAWING NUMBER | DRAWN BY | D.N.S. |
| REV. G | SGV110CG | COUGHLIN | DATE |
| | | | 08-25-03 |

EXPRESS SCALE PARTS, INC.
6875 MARTINDALE RD. SHAWNEE, KANSAS 66218 (913) 441-4787
NAME GV-52 DUPLEX (1.0 CU' HOPPER)
FOR GRAY/VIB FEEDER