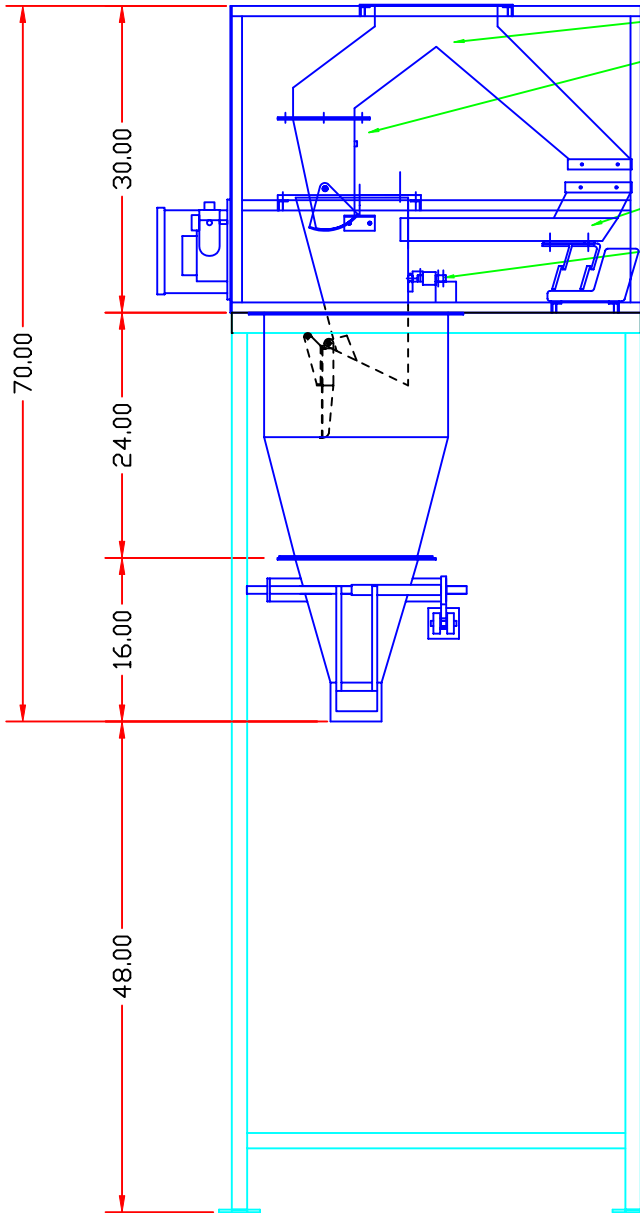
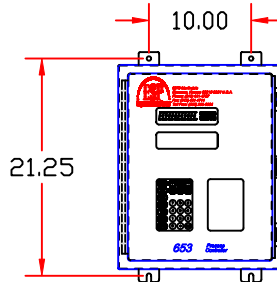


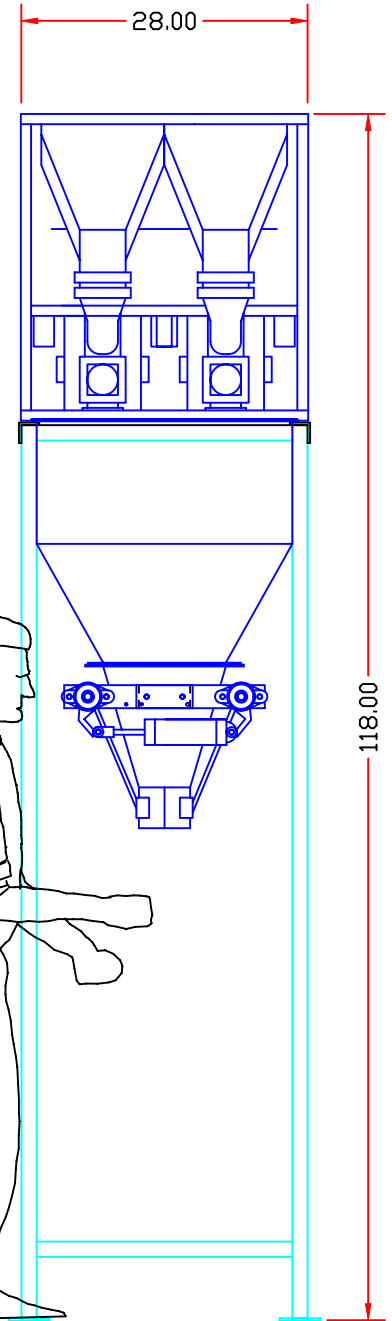
HOPPER TO FIT UP TO INLET OF DIVERTER



PANT LEG DIVERTER
GRAVITY GATE FEEDER (FAST FEED)
VIBRATORY FEEDER (SLOW FEED)
SINGLE LOAD CELL DESIGN



EXPRESS SCALE PARTS
600 SERIES
WEIGHT BASED
PROCESS CONTROLLER



REV. 1	EXPRESS SCALE PARTS, INC.			
REV. 2	6873 MARTINDALE RD. SHAWNEE, KANSAS 66218 (913) 441-4787			
REV. 3	NAME 5GV DUPLEX (0.4 OR 0.6 CU' HOPPER) GRAV/VIB FEEDER, SUPPORT STAND			
REV. 4	FOR			
REV. 5				
REV. 6	TOLERANCE	MATERIAL	SCALE D.N.S.	PART NUMBER
REV. 7	DRAWING NUMBER SGV518	DRAWN BY COUGHLIN	DATE 07-17-02	PART NUMBER