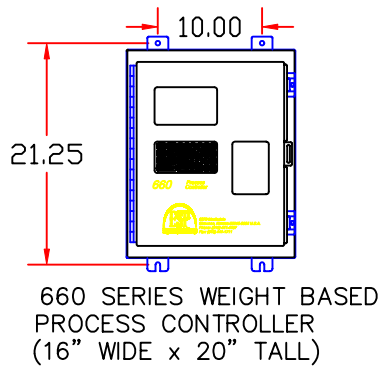


ELECTRICAL REQUIREMENTS:
115VOLTS, 1PH, 50-60HZ, 16AMP
230VOLTS, 1PH, 50-60HZ, 8AMP
460VOLTS, 1PH, 50-60HZ, 4AMP



REV. A	EXPRESS SCALE PARTS, INC.			
REV. B	6873 MARTINDALE RD. SHAWNEE, KANSAS 66218 (913) 441-4787			
REV. C	NAME CM-780-ERIEZ (MOD 65B 18x36)			
REV. D	FOR VIBRATOR (2 SPEED)-D DUPLEX			
REV. E	FOR			
REV. F	TOLERANCE	MATERIAL	SCALE D.N.S.	PART NUMBER
REV. G	DRAWING NUMBER SCM481FG	DRAWN BY COUGHLIN	DATE 05-23-03	PART NUMBER