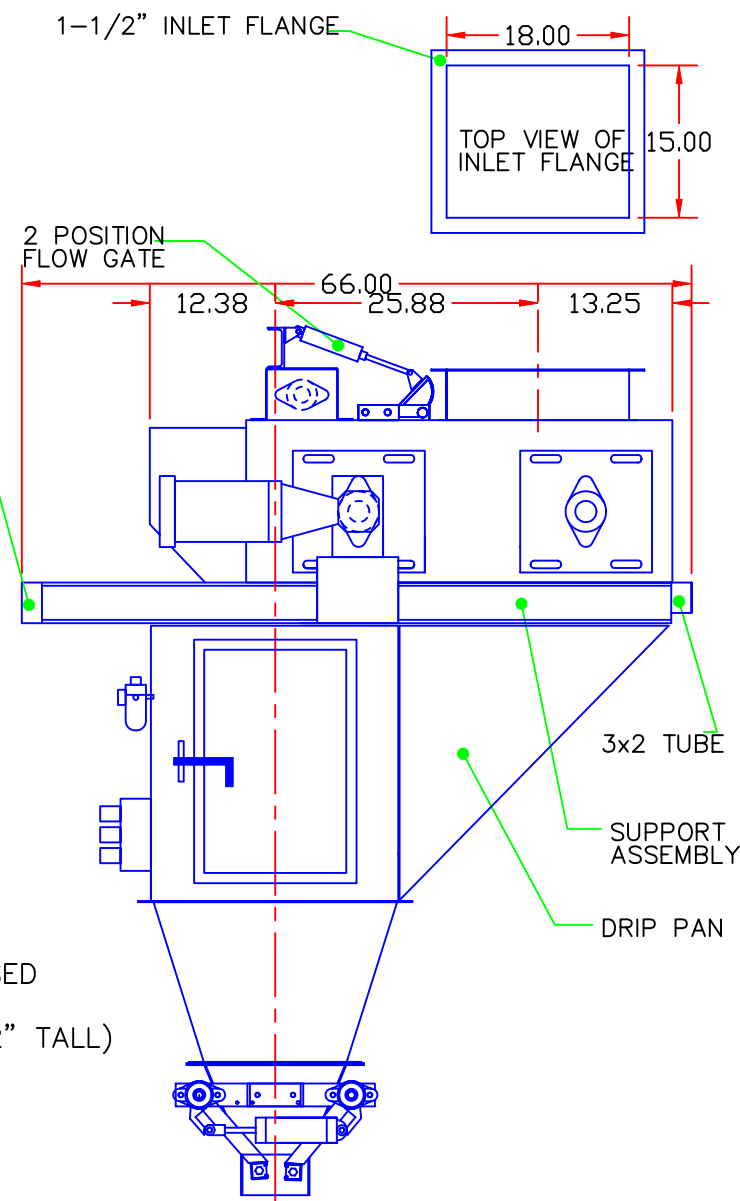


660 SERIES WEIGHT BASED  
PROCESS CONTROLLER  
(9-1/2" WIDE x 11-1/2" TALL)

48" TO  
FLOOR



REV. 1	<b>EXPRESS SCALE PARTS, INC.</b>			
REV. 2	6873 MARTINDALE RD. SHAWNEE, KANSAS 66218 (913) 441-4787			
REV. 3	NAME			
REV. 4	CM-780-BF-D HIGH SPEED (15x18 INLET)			
REV. 5	FOR			
REV. 6	TOLERANCE	MATERIAL	SCALE	PART NUMBER
REV. 7	DRAWING NUMBER	DRAWN BY	DATE	PART NUMBER
	SCM261G	COUGHLIN	10-30-02	