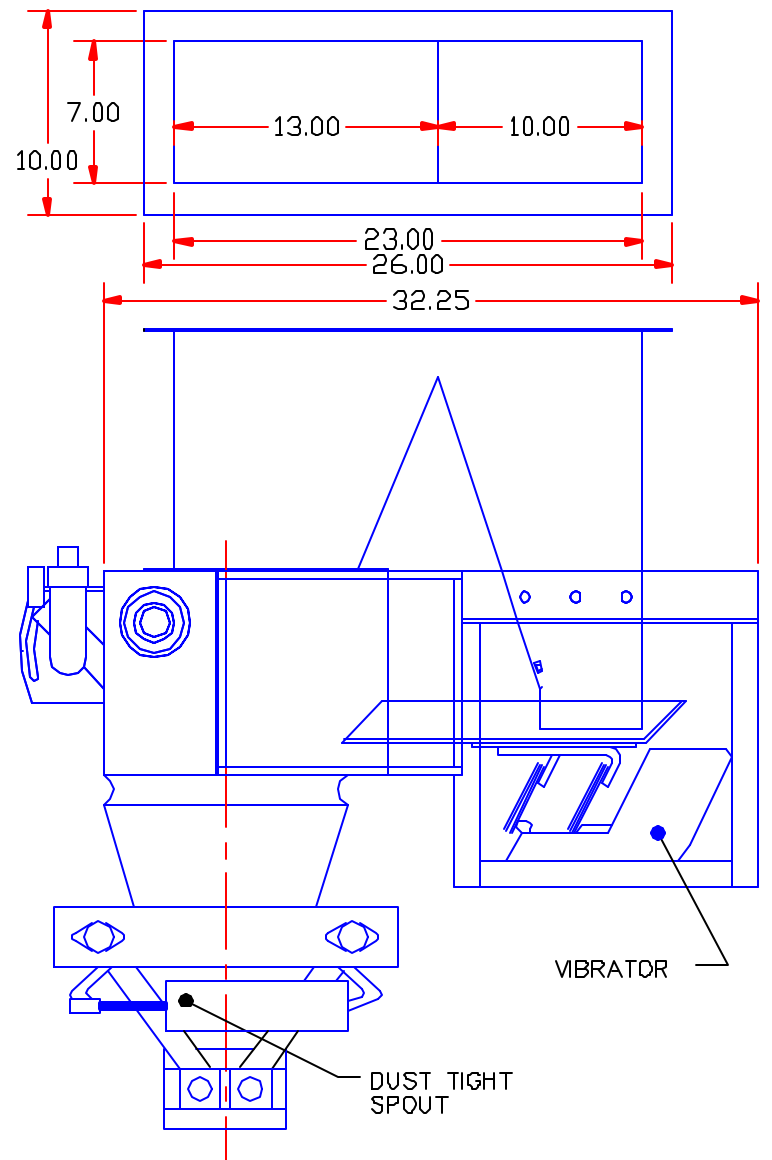


660 SERIES WEIGHT BASED
PROCESS CONTROLLER
(9-1/2" WIDE x 11-1/2" TALL)

48"
TO FLOOR
TYP



REV. 1	EXPRESS SCALE PARTS, INC.			
REV. 2	6873 MARVINDALE RD. SHAWNEE, KANSAS 66218 (913) 441-4787			
REV. 3	NAME JMDT-GVD-2-D, GRAVITY GATE / VIBRATORY FEEDER			
REV. 4	FOR			
REV. 5				
REV. 6	TOLERANCE	MATERIAL	SCALE D.N.S.	PART NUMBER
REV. 7	DRAWING NUMBER SJM015G	DRAWN BY COUGHLIN	DATE 10-03-02	PART NUMBER