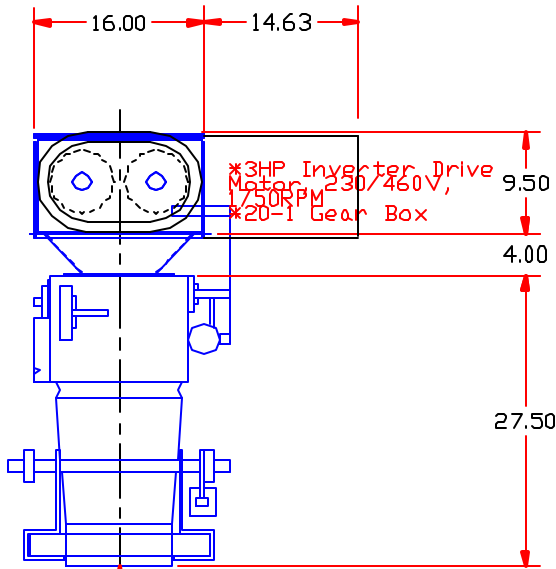
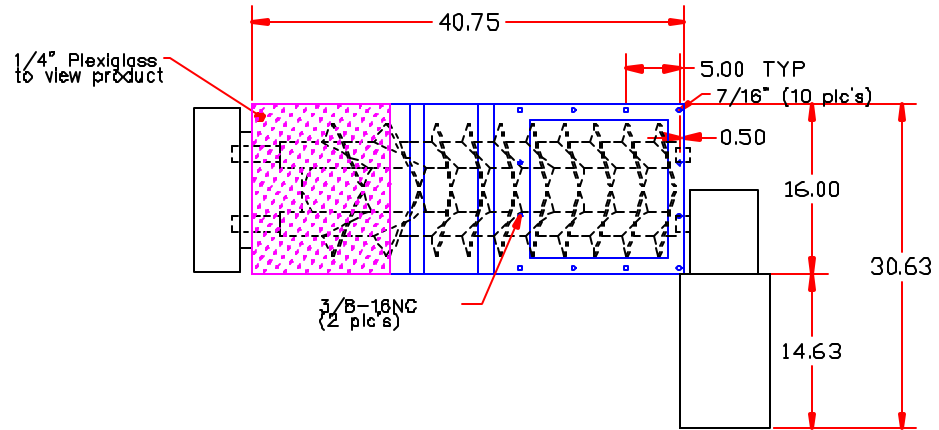
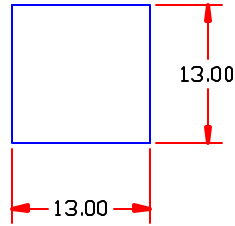
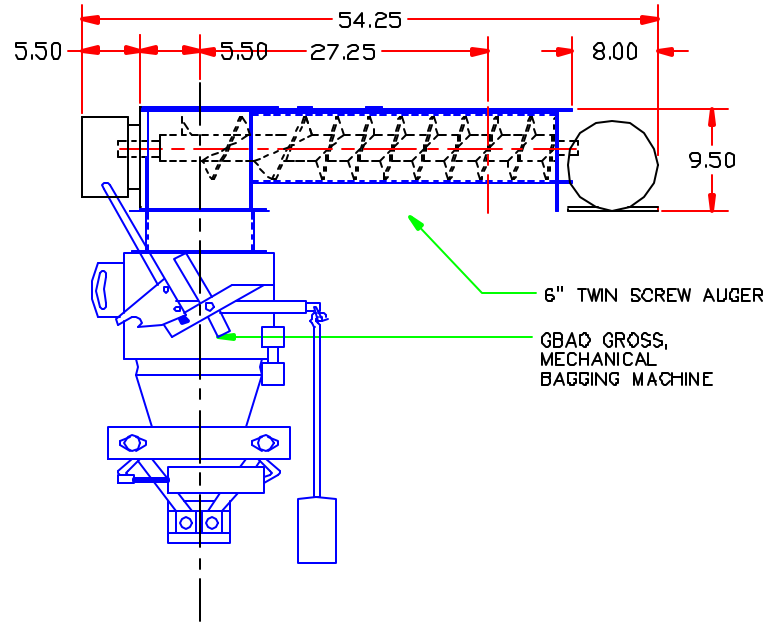


13.00 SQ Inlet



48.00" TYP.  
TO FLOOR



REV. A	<b>EXPRESS SCALE PARTS, INC.</b>			
REV. B	6873 MARVINDALE RD. SHAWNEE, KANSAS 66218 (913) 441-4787			
REV. C	NAME			
REV. D	GBAO-6" TWIN SCREW AUGER			
REV. E	FOR			
REV. F	TOLERANCE	MATERIAL	SCALE	PART NUMBER
REV. G	DRAWING NUMBER	DRAWN BY	DATE	PART NUMBER
	SGB154	COUGHLIN	02-28-03	