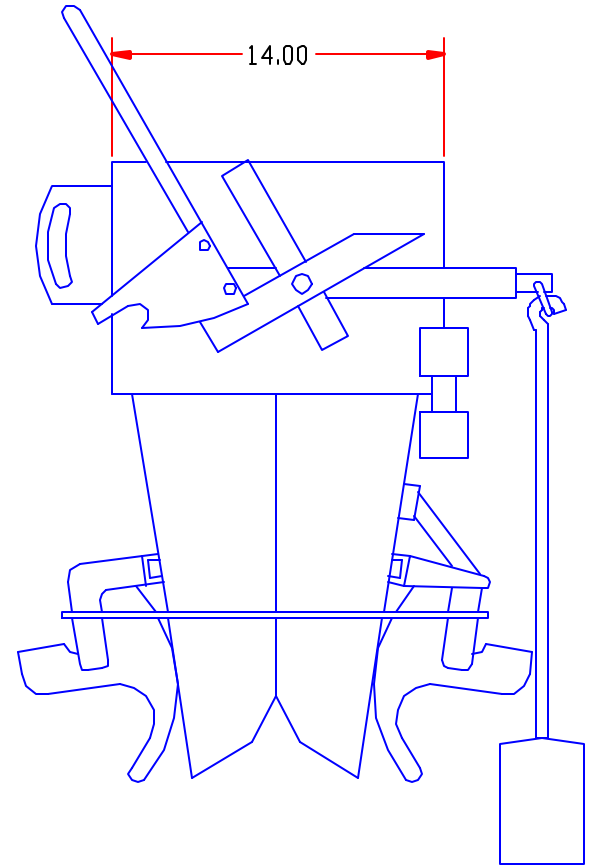
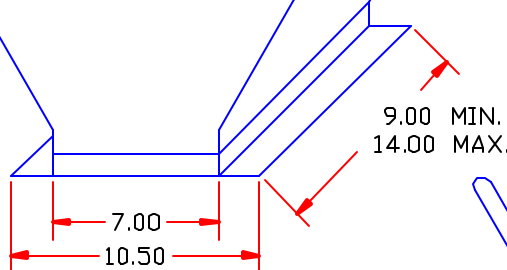


OPENING IN HOPPER MUST NOT EXCEED 7" ACROSS THE FRONT AND 9" FRONT TO REAR



48.00 TYP.
TO FLOOR

GB MECHANICAL GROSS WEIGH BAGGING SCALE
 5-6 bags per minute at + or - 4 oz. accuracy
 Shipping crate size. 30"X30"X30"
 Weight: 200 lbs
 Class: CL-70

REV. 1	EXPRESS SCALE PARTS, INC.			
REV. 2	6875 MARTINDALE RD. SHAWNEE, KANSAS 66218 (913) 441-4787			
REV. 3	NAME GB (GROSS WEIGH BAGGING SCALE) FOR NON-DUSTY PRODUCT			
REV. 4	FOR			
REV. 5				
REV. 6	TOLERANCE	MATERIAL	SCALE	PART NUMBER
			D.N.S.	
REV. 7	DRAWING NUMBER	DRAWN BY	DATE	PART NUMBER
	SGB013	COUGHLIN	03-05-03	