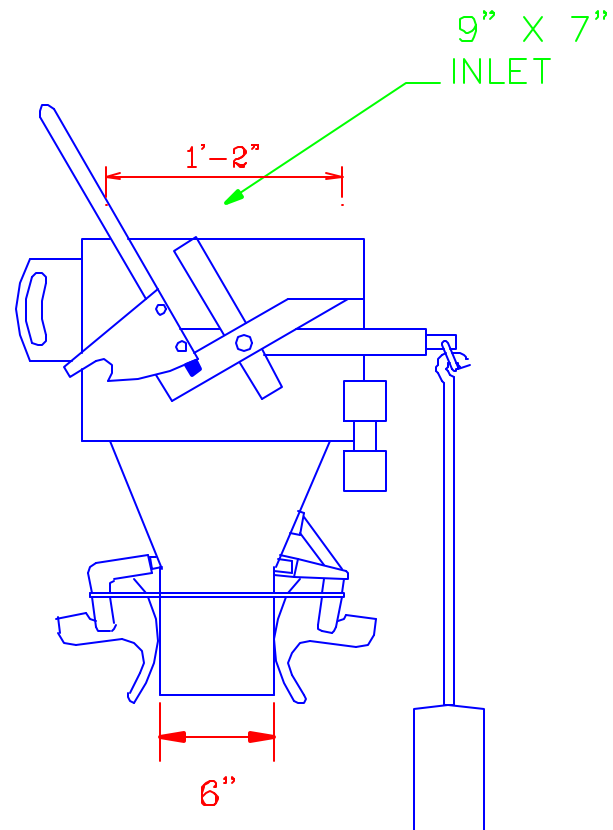


FRONT



SIDE

REV. 1	EXPRESS SCALE PARTS, INC.			
REV. 2	6878 MARTINDALE RD. SHAWNEE, KANSAS 66218 (913) 441-4787			
REV. 3	NAME			
REV. 4	GB-25 GROSS BAGGING SCALE			
REV. 5	FOR			
REV. 6	TOLERANCE	MATERIAL	APPROVED BY	DATE
	±1/2"			
REV. 7	DRAWING NUMBER	PART NUMBER	DRAWN BY	DATE
	SGB007		PHILLIPS	11-11-02